



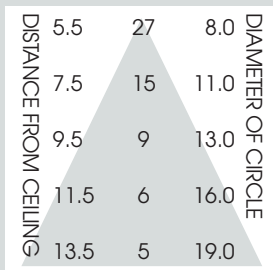
8" HORIZONTAL FLUORESCENT SQUARE APERTURE 2 x 42 WATT MAX

8HSQ
SPECTRUM
GOLD SERIES™

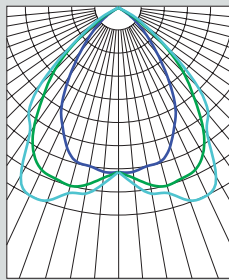
FEATURES & SPECIFICATIONS:

- EFEX² Series CF Square aperture. Fixture features shallow plenum and deep cutoff.
- Intended for Non-IC new construction. For IC applications, refer to page 1-400.
- Frame constructed of 20 ga. galvanized steel.
- Supplied with 27" long, heavy ga. galvanized steel bar hangers.
- Ballasts shall be integrally mounted, electronic sound rated "A", Class P, multi-volt 120v - 277v.
- Upper reflector shall be high purity specular aluminum.
- UL Listed for Damp Locations.
- For options detail, see page numbers listed below.

Max Ceiling Thickness: 1.5 (38.1 mm)
Ceiling Cutout: 9.0² (228.6 mm)²
Fixture Weight: 9.0 lbs

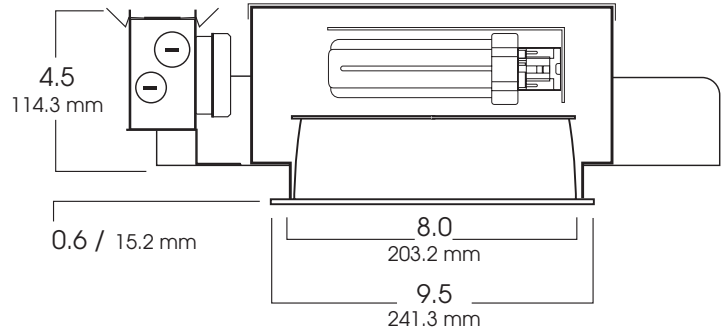


CONE OF LIGHT

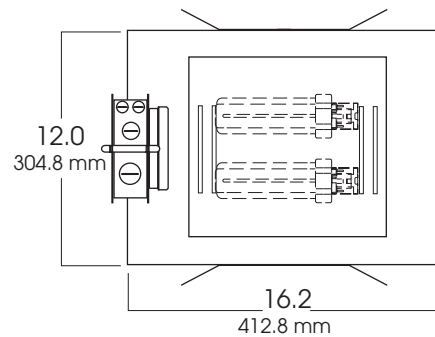


8HSQ142w-Efficiency: 52.5%
Spacing: 1.08

CROSS-SECTION



TOP VIEW



SERIES	WATTS	BALLAST	OPTIONS	TRIM / FINISH	TRIM OPTIONS
SG8HSQ- Spectrum Gold 8" Horizontal Square	(1 or 2) 13 (1 or 2) 18 (1 or 2) 26 (1 or 2) 32 (1 or 2) 42	EX -Electronic, multi-volt 120v thru 277v DA1 -Advance Mark 10™ powerline dimming, 120v ¹ DA2 -Advance Mark 10™ powerline dimming, 277v ¹ DAM7 -Advance Mark 7™ 0-10v dimming, 120v thru 277v DL1 -Lutron Compact SE™ 120v (min. dimming level 5%) ¹ DL2 -Lutron Compact SE™ 277v (min. dimming level 5%) ¹	CB24 -C-Channel bars 1-470 CCEA -Chicago Ceiling Plenum CCEA 1-480 CR -Corrosion Resistant 1-460 EM -Emergency battery pack 1-420 FS -Fuse holder and fuse IC -Insulation Contact 1-400 PR -Plaster Ring 1-430 TBC -T-bar clips 1-475 TST -Twist-Lok Socket 1-425	AR0808-SG -Semi-Diffuse Low Iridescent (standard) GM -Corrugated Soft Glow GO -Gold Alzak MB -Matte Black MW -Matte White PW -Pewter Alzak UM -Umber Alzak WE -Wheat Alzak BF -Black Flange WF -White Flange CC -Custom Color	FG -Frosted Glass GL -Clear Glass lens GS -Gasket SO -Micro Prism Solite™ lens PA -Prismatic Acrylic lens PG -Prismatic (T73) lens SK -Skytek™ linear lens WL -Wet Location 1-470
SG8HSQ	242	EX	EM/	AR0808 SG	FG

¹ Not available for 13w Quad or TRT lamp

Note: Polished flange is standard.

Dimensions shown are nominal. Spectrum Lighting is continually improving products and reserves the right to make changes that will not alter performance or appearance with or without written notice.



PROJECT:	TYPE:
CAT. NO.:	

