

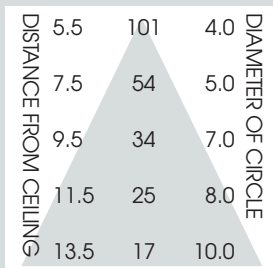
**7" MRI SERIES
LENSED SPLAY
150 WATT MAX**



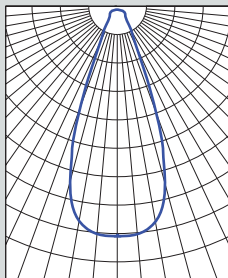
FEATURES & SPECIFICATIONS:

- 5052 all aluminum frame and hardware (non-ferrous),
- For use in MRI equipment areas.
- Series features a specular aluminum reflector with regressed lensed trim.
- Intended for Non-IC new construction. For IC applications, refer to page 1-400.
- Adjustable mounting brackets standard.
- **120 Volt** is standard. Use option **T277** for 277v supply feed.

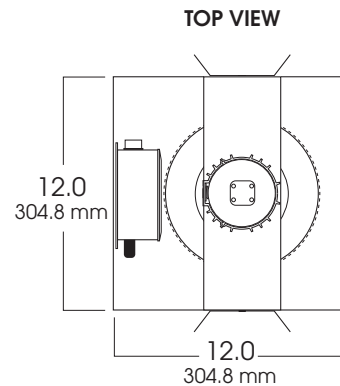
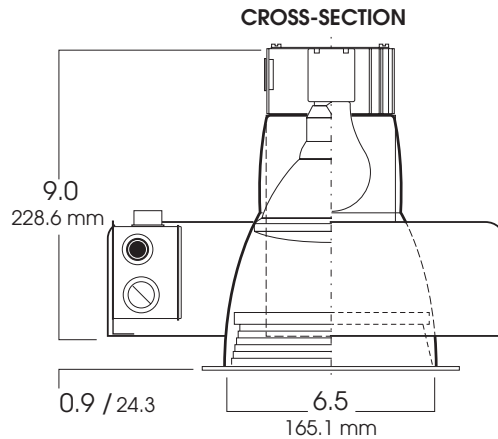
Max Ceiling Thickness: 1.0 (25.4 mm)
 Ceiling Cutout: 7.0 Ø (177.8 mm Ø)
 Fixture Weight: 6.0 lbs



CONE OF LIGHT



7IN100w-Efficiency: 85.2%
Spacing: 0.68



SERIES	OPTIONS	SPLAY	TRIM OPTIONS	FIXTURE LAMPING *														
SG7MRI - Spectrum Gold 7" Vertical MRI	FS -Fuse holder and fuse PR -Plaster Ring 1-430 RM -Remodeler Housing 1-450 SCA -Slope Ceiling Adaptor 1-435 T277 -Step down Transformer 277v to 120v	AR7125-WS -White w/White flange (standard) CS -Clear Alzak w/white flange CSPF -Clear Alzak w/polished flange SGS -Semi-Diffuse Low-Iridescent w/white flange SGSPF -Semi-Diffuse Low-Iridescent w/polished flange RB -Regressed black baffled w/ white flange RBBF -Regressed black baffled w/ black flange RW -Regressed white baffled w/ white flange CC -Custom Color	PG -Prismatic (T73) lens (standard) FG -Frosted Glass FL -Fresnel Lens GL -Clear Glass lens GS -Gasket PC -Clear Polycarbonate PP -Prismatic Polycarbonate WL -Wet Location (See Page 1-470) XB1 -Cross Blade Louver DO -Drop Opal	<table border="1"> <thead> <tr> <th>LAMP</th> <th>MAX. WATTAGE</th> </tr> </thead> <tbody> <tr> <td>A19</td> <td>100w</td> </tr> <tr> <td>A 21</td> <td>150w</td> </tr> <tr> <td>PAR 30L</td> <td>75w</td> </tr> <tr> <td>R 30</td> <td>100w</td> </tr> <tr> <td>PAR 38</td> <td>150w</td> </tr> <tr> <td>R 40</td> <td>150w</td> </tr> </tbody> </table> <p>*Medium Base For DC rating: Use DC RATED Incandescent Lamps</p>	LAMP	MAX. WATTAGE	A19	100w	A 21	150w	PAR 30L	75w	R 30	100w	PAR 38	150w	R 40	150w
LAMP	MAX. WATTAGE																	
A19	100w																	
A 21	150w																	
PAR 30L	75w																	
R 30	100w																	
PAR 38	150w																	
R 40	150w																	
SG7MRI	FS	AR7125 WS	PG															

Dimensions shown are nominal. Spectrum Lighting is continually improving products and reserves the right to make changes that will not alter performance or appearance with or without written notice.



PROJECT:	TYPE:
CAT. NO.:	

994 Jefferson Street, Fall River, MA 02721 508.678.2303 FAX 508.678.2260

