

7" HID-MH / HPS SERIES OPEN REFLECTOR / BAFFLE 100 WATT MAX

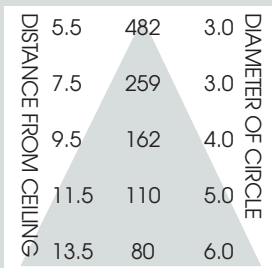
7MH
SPECTRUM
GOLD SERIES™



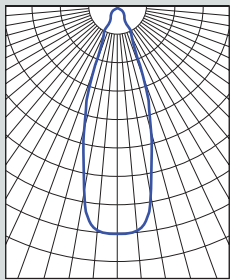
FEATURES & SPECIFICATIONS:

- 7MH PAR / ED17 series features a deep reflector with excellent cutoff.
- Intended for Non-IC new construction.
- Frame constructed of 20 ga. galvanized steel.
- Supplied with 27" long, heavy ga. galvanized steel bar hangers.
- Ballasts shall be integrally mounted, electronic sound rated "A", multi-volt 120v or 277v.
- UL Listed for Damp Locations.
- For options detail, see page numbers listed below.

Max Ceiling Thickness: 1.0 (25.4 mm)
Ceiling Cutout: 7.0 Ø (177.8 mm Ø)
Fixture Weight: 6.4 lbs (MH)

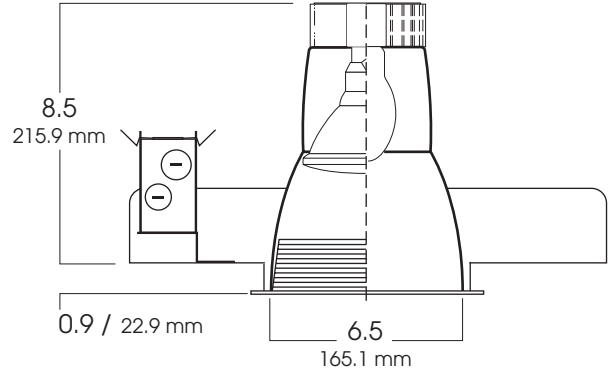


CONE OF LIGHT

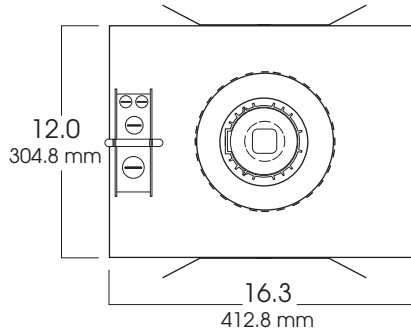


7MH100w- Efficiency: 95.8%
Spacing: 0.58

CROSS-SECTION



TOP VIEW



FIXTURE LAMPING *

- BD17 (HPS) - 50W thru 100W
- ED17¹ (MH) - 50W thru 100W
- PAR30L - 39W, 70W
- PAR38 - 70W, 100W

* All lamps are medium based
¹ Open Rated only

SERIES	WATTS	BALLAST	OPTIONS	TRIM / FINISH	TRIM OPTIONS
SG7MH* Spectrum Gold 7" Vertical	39 50 70 100	EX¹ -Electronic, multi-volt 120v or 277v H1 -F-Can ballast, 120v H2 -F-Can ballast, 277v HS -High Pressure Sodium	CB24 -C-Channel bars 1-470 CCEA -Chicago Ceiling Plenum CCEA 1-480 CR -Corrosion Resistant 1-460 FS -Fuse holder and fuse PR -Plaster Ring 1-430 RM -Remodeler Housing 1-450 SCA -Slope Ceiling Adaptor 1-435 TBC -T-bar clips 1-475 QRS120 -Quartz Restrike-120v QRS277 -Quartz Restrike-277v	AR7215-SG -Semi-Diffuse Low Iridescent (standard) CL -Clear Bright Alzak GO -Gold Alzak HZ -Matte Low Iridescent PW -Pewter Alzak UM -Umber Alzak WE -Wheat Alzak BL -Black Finish WH -White Finish PF -Polished Flange AR7218-* -Finished as specified with Glass Safety Lens (for non open rated lamps)	GS -Gasket BB -Black Micro Baffle WB -White Micro Baffle
SG7MH	100	EX	CB24	AR7215 SG	GS

* For High Pressure Sodium use **HS**

¹ Metal Halide only

Note: White flange is standard.

*For Available Decorative Architectural Trims, see page 1-490

Dimensions shown are nominal. Spectrum Lighting is continually improving products and reserves the right to make changes that will not alter performance or appearance with or without written notice.



PROJECT:	TYPE:
CAT. NO.:	

