

**7" HID-MH / HPS SERIES**  
**SHALLOW OPEN REFLECTOR / BAFFLE**  
 100 WATT MAX

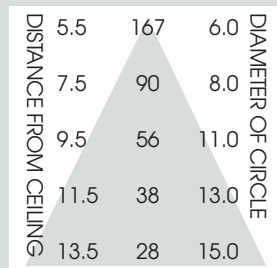
**7MH**  
**SPECTRUM**  
**GOLD SERIES™**



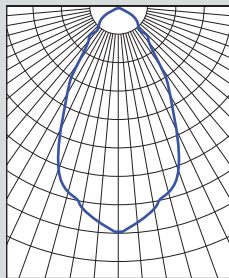
**FEATURES & SPECIFICATIONS:**

- 7MH series shallow depth and features a medium cutoff for wide general lighting.
- Intended for Non-IC new construction.
- Frame constructed of 20 ga. galvanized steel.
- Supplied with 27" long, heavy ga. galvanized steel bar hangers.
- Ballasts shall be integrally mounted, electronic sound rated "A", multi-volt 120v or 277v.
- UL Listed for Damp Locations.
- For options detail, see page numbers listed below.

Max Ceiling Thickness: 1.5 (38.1 mm)  
 Ceiling Cutout: 7.0 Ø (177.8 mm Ø)  
 Fixture Weight: 6.4 lbs (MH)

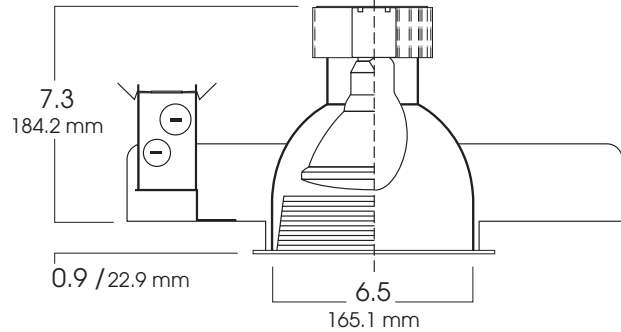


**CONE OF LIGHT**

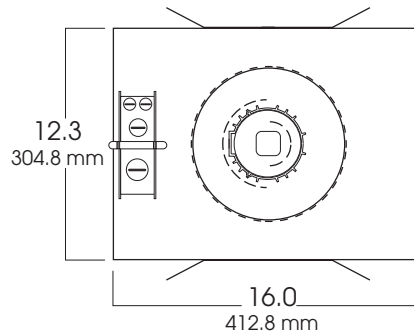


**7MH100w**-Efficiency: 93.0%  
 Spacing: 0.90

**CROSS-SECTION**



**TOP VIEW**



**FIXTURE LAMPING \***

- BD17 (HPS) - 50W thru 100W**
- ED17<sup>1</sup> (MH) - 50W thru 100W**
- PAR30L - 70W**
- PAR38 - 70W, 100W**

\* All lamps are medium based  
<sup>1</sup> Open Rated only

SERIES	WATTS	BALLAST	OPTIONS	TRIM / FINISH	TRIM OPTIONS
<b>SG7MH*</b> - Spectrum Gold 7" Vertical	<b>50</b> <b>70</b> <b>100</b>	<b>EX<sup>1</sup></b> -Electronic, multi-volt 120v or 277v <b>H1</b> -F-Can ballast, 120v <b>H2</b> -F-Can ballast, 277v <b>HS</b> -High Pressure Sodium	<b>CB24</b> -C-Channel bars 1-470 <b>CCEA</b> -Chicago Ceiling Plenum CCEA 1-480 <b>CR</b> -Corrosion Resistant 1-460 <b>FS</b> -Fuse holder and fuse <b>PR</b> -Plaster Ring 1-430 <b>RM</b> -Remodeler Housing 1-450 <b>SCA</b> -Slope Ceiling Adaptor 1-435 <b>TBC</b> -T-bar clips 1-475 <b>QRS120</b> -Quartz Restrike-120v <b>QRS277</b> -Quartz Restrike-277v	<b>AR7150-SG</b> -Semi-Diffuse Low Iridescent (standard) <b>CL</b> -Clear Bright Alzak <b>GO</b> -Gold Alzak <b>HZ</b> -Matte Low Iridescent <b>PW</b> -Pewter Alzak <b>UM</b> -Umber Alzak <b>WE</b> -Wheat Alzak <b>BL</b> -Black Finish <b>WH</b> -White Finish <b>PF</b> -Polished Flange	<b>GS</b> -Gasket <b>BB</b> -Black Micro Baffle <b>WB</b> -White Micro Baffle
* For High Pressure Sodium use <b>HS</b>		<sup>1</sup> Metal Halide only		Note: White flange is standard.	*For Available <b>Decorative Architectural Trims</b> , see page 1-490
<b>SG7MH</b>	<b>100</b>	<b>EX</b>	<b>CB24</b>	<b>AR7150 SG</b>	<b>GS</b>

Dimensions shown are nominal. Spectrum Lighting is continually improving products and reserves the right to make changes that will not alter performance or appearance with or without written notice.



<b>PROJECT:</b>	<b>TYPE:</b>
<b>CAT. NO.:</b>	

