



7" HORIZONTAL FLUORESCENT DEEP SPLAY

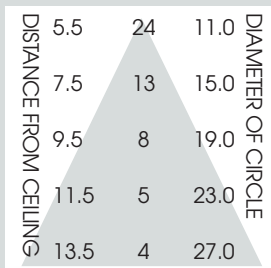
2 x 26 WATT / 1 x 42 WATT MAX

7H
SPECTRUM
GOLD SERIES™

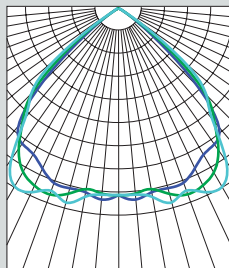
FEATURES & SPECIFICATIONS:

- SG7H Deep Splay series features secondary reflector cone for optimum cutoff.
- Intended for Non-IC new construction. For IC applications, refer to page 1-400.
- Frame constructed of 20 ga. galvanized steel.
- Supplied with 27" long, heavy ga. galvanized steel bar hangers.
- Ballasts shall be integrally mounted, electronic sound rated "A", Class P, multi-volt 120v - 277v.
- UL Listed for Damp Locations.
- For options detail, see page numbers listed below.

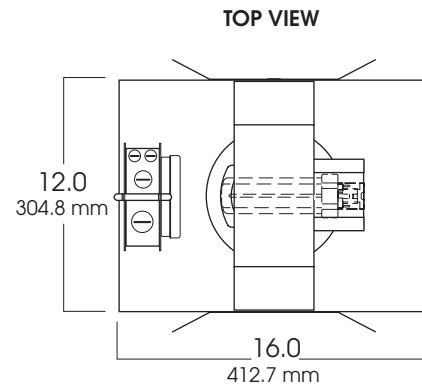
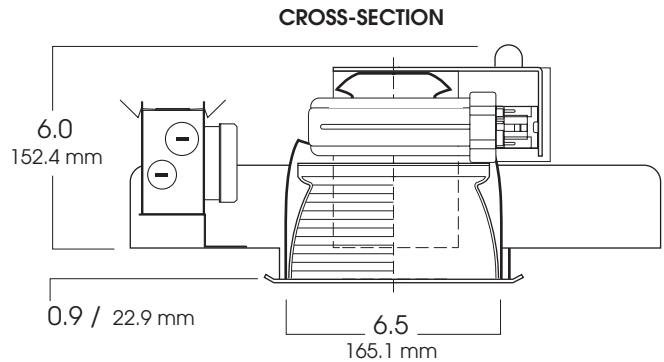
Max Ceiling Thickness: 1.5 (38.1 mm)
Ceiling Cutout: 7.0 Ø (177.8 mm Ø)
Fixture Weight: 6.5 lbs



CONE OF LIGHT



7H226w-Efficiency 41.9%
Spacing: 1.37



SERIES	WATTS	BALLAST	OPTIONS	REFLECTOR	SPLAY	LENS
SG7H- Spectrum Gold 7" Horizontal	(1 or 2) 13'¹ (1 or 2) 18'¹ (1 or 2) 26Q¹ 126T² 132 142	EX -Electronic, multi-volt 120v thru 277v DA1 -Advance Mark 10™ powerline dimming, 120v ¹ DA2 -Advance Mark 10™ powerline dimming, 277v ¹ DAM7 -Advance Mark 7™ 0-10v dimming, 120v thru 277v DL1 -Lutron Compact SE™ 120v (min. dimming level 5%) ¹ DL2 -Lutron Compact SE™ 277v (min. dimming level 5%) ¹	CB24 -C-Channel bars 1-470 CCEA -Chicago Ceiling Plenum CCEA 1-480 CR -Corrosion Resistant 1-460 EM -Emergency battery pack 1-420 FS -Fuse holder and fuse IC -Insulation Contact 1-400 PR -Plaster Ring 1-430 RM -Remodeler Housing 1-450 SCA -Slope Ceiling Adaptor 1-435 TBC -T-bar clips 1-475 TST -Twist-Lok Socket 1-425	AR7645- (2 lamp) 13w, 18w, 26wQ lamps AR7665- (1 lamp) 13w, 18w, 26wQ, 26wT, 32w, 42w lamps	SG -Semi-Diffuse Low Iridescent (standard) CL -Clear Bright Alzak GO -Gold Alzak HZ -Matte Low Iridescent PW -Pewter Alzak UM -Umber Alzak WE -Wheat Alzak BL -Black Finish WH -White Finish PF -Polished Flange	GL -Clear Glass lens (standard) BB -Black micro baffle WB -White micro baffle FG -Frosted Glass FL -Fresnel Lens GS -Gasket PC -Clear Polycarbonate PG -Prismatic (T73) lens PP -Prismatic Polycarbonate WL -Wet Location 1-470
SG7H	226Q	EX	EM/	AR7645 SG	GS	

Note: White flange is standard.

Dimensions shown are nominal. Spectrum Lighting is continually improving products and reserves the right to make changes that will not alter performance or appearance with or without written notice.



PROJECT:	TYPE:
CAT. NO.:	

