



6" VERTICAL FLUORESCENT LENSED SPLAY

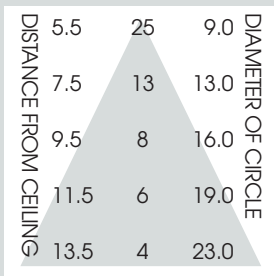
1 x 42 WATT MAX



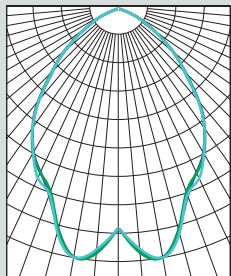
FEATURES & SPECIFICATIONS:

- SG6V features a wide variety of lenses and splays.
- Intended for Non-IC new construction.
For IC applications, refer to page 1-400.
- Frame constructed of 20 ga. galvanized steel.
- Supplied with 27" long, heavy ga. galvanized steel bar hangers.
- Fluorescent ballasts shall be integrally mounted, electronic sound rated "A", Class P, multi-volt 120v - 277v.
- UL Listed for Damp Locations.
- For options detail, see page numbers listed below.

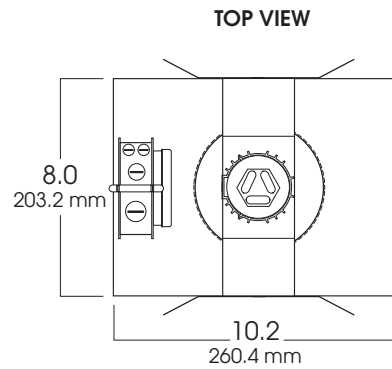
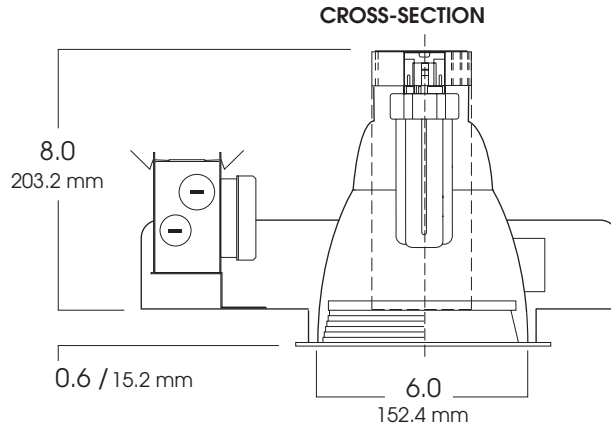
Max Ceiling Thickness: 1.5 (38.1 mm)
 Ceiling Cutout: 6.2 Ø (157.8 mm Ø)
 Fixture Weight: 4.0 lbs



CONE OF LIGHT



6V142w - Efficiency: 43.9%
Spacing: 1.15



SERIES	WATTS	BALLAST	OPTIONS	SPLAY	TRIM OPTIONS
SG6V- Spectrum Gold 6" Vertical	113	EX -Electronic, multi-volt 120v thru 277v	CB24 -C-Channel bars 1-470	AR6425-WS -White w/White flange (standard)	PG -Prismatic (T73) lens (standard)
	118	DA1 -Advance Mark 10™ powerline dimming, 120v ¹	CCEA -Chicago Ceiling Plenum CCEA 1-480	CS -Clear Alzak w/white flange	FG -Frosted Glass
	126	DA2 -Advance Mark 10™ powerline dimming, 277v ¹	CR -Corrosion Resistant 1-460	CSPF -Clear Alzak w/polished flange	FL -Fresnel Lens
	132	DAM7 -Advance Mark 7™ 0-10v dimming, 120v thru 277v	EM -Emergency battery pack 1-420	SGS -Semi-Diffuse Low-Iridescent w/white flange	GL -Clear Glass lens
	142	DL1 -Lutron Compact SE™ 120v (min. dimming level 5%) ¹	FS -Fuse holder and fuse	SGSPF -Semi-Diffuse Low-Iridescent w/polished flange	GS -Gasket
		DL2 -Lutron Compact SE™ 277v (min. dimming level 5%) ¹	IC -Insulation Contact 1-400	RB -Regressed black baffled w/white flange	PC -Clear Polycarbonate
		¹ Not available for 13w Quad or TRT lamp	PR -Plaster Ring 1-430	RBBF -Regressed black baffled w/black flange	PP -Prismatic Polycarbonate
			RM -Remodeler Housing 1-450	RW -Regressed white baffled w/white flange	WL -Wet Location 1-470
			TBC -T-bar clips 1-475	CC -Custom Color	XB¹ -Cross Blade Louver
			TP -Tamper Resistant		
		TST -Twist-Lok Socket 1-425			

SG6V

132

EX

EM/

AR6425 WS

PG

Dimensions shown are nominal. Spectrum Lighting is continually improving products and reserves the right to make changes that will not alter performance or appearance with or without written notice.



PROJECT:	TYPE:
CAT. NO.:	

