



6" VERTICAL FLUORESCENT OPEN REFLECTOR / BAFFLE

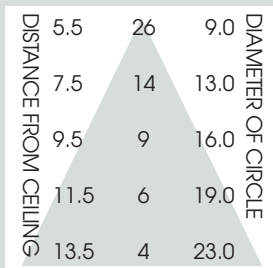
1 x 42 WATT MAX



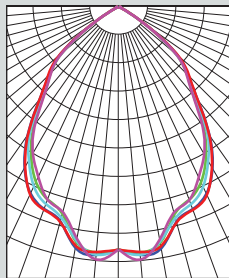
FEATURES & SPECIFICATIONS:

- 6" aperture series with medium cutoff.
- Intended for Non-IC new construction.
For IC applications, refer to page 1-400.
- Frame constructed of 20 ga. galvanized steel.
- Supplied with 27" long, heavy ga. galvanized steel bar hangers.
- Ballasts shall be integrally mounted, electronic sound rated "A", Class P, multi-volt 120v - 277v.
- UL Listed for Damp Locations.
- For options detail, see page numbers listed below.

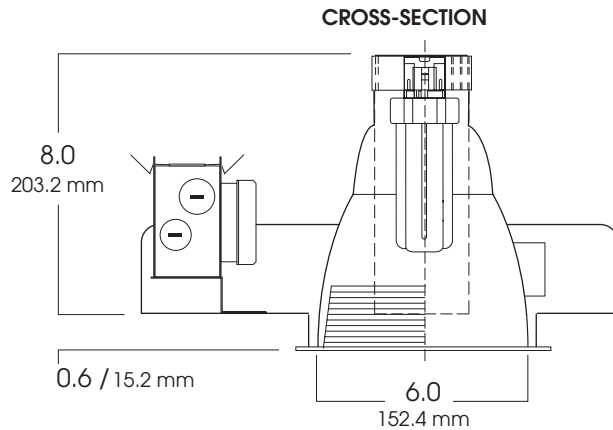
Max Ceiling Thickness: 1.5 (38.1 mm)
Ceiling Cutout: 6.2 Ø (157.8 mm Ø)
Fixture Weight: 4.0 lbs



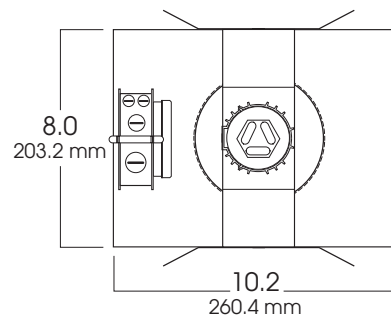
CONE OF LIGHT



6V132w - Efficiency: 53.2%
Spacing: 1.15



TOP VIEW



SERIES	WATTS	BALLAST	OPTIONS	TRIM / FINISH	TRIM OPTIONS
SG6V- Spectrum Gold 6" Vertical	113	EX -Electronic, multi-volt 120v thru 277v	CB24 -C-Channel bars 1-470	AR6415-SG -Semi-Diffuse Low Iridescent (standard) CL -Clear Bright Alzak GO -Gold Alzak HZ -Matte Low Iridescent PW -Pewter Alzak UM -Umber Alzak WE -Wheat Alzak BL -Black Finish WH -White Finish PF -Polished Flange	GS -Gasket BB -Black Micro Baffle WB -White Micro Baffle
	118	DA1 -Advance Mark 10™ powerline dimming, 120v ¹	CCEA -Chicago Ceiling Plenum CCEA 1-480		
	126	DA2 -Advance Mark 10™ powerline dimming, 277v ¹	CR -Corrosion Resistant 1-460		
	132	DAM7 -Advance Mark 7™ 0-10v dimming, 120v thru 277v	EM -Emergency battery pack 1-420		
	142	DL1 -Lutron Compact SE™ 120v (min. dimming level 5%) ¹	FS -Fuse holder and fuse		
		DL2 -Lutron Compact SE™ 277v (min. dimming level 5%) ¹	IC -Insulation Contact 1-400		
		¹ Not available for 13w Quad or TRT lamp	PR -Plaster Ring 1-430		
			RM -Remodeler Housing 1-450		
			TBC -T-bar clips 1-475		
			TST -Twist-Lok Socket 1-425		
SG6V	132	EX	EM/	AR6415 SG	GS

Note: White flange is standard.

*For available
**Decorative
Architectural Trims,**
see Page 1-490

Dimensions shown are nominal. Spectrum Lighting is continually improving products and reserves the right to make changes that will not alter performance or appearance with or without written notice.



PROJECT:

TYPE:

CAT. NO.:

