



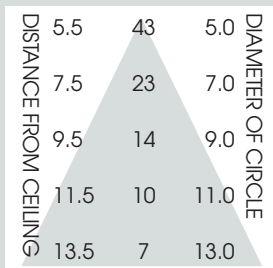
VERTICAL FLUORESCENT 6" SQUARE APERTURE 1 x 42 WATT MAX



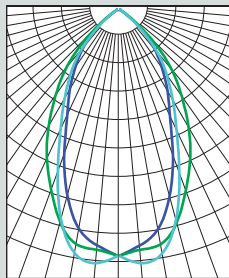
FEATURES & SPECIFICATIONS:

- EFEX² Series CF Square aperture. Features a dual optic design with deep cutoff.
- Intended for Non-IC new construction. For IC applications, refer to page 1-400.
- Frame constructed of 20 ga. aluminum.
- Supplied with 27" long, heavy ga. galvanized steel bar hangers.
- Fluorescent ballasts shall be integrally mounted, electronic sound rated "A", Class P, multi-volt 120v - 277v.
- UL Listed for Damp Locations.
- For options detail, see page numbers listed below.

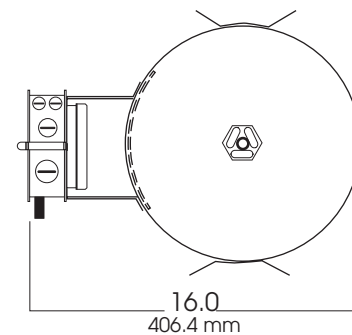
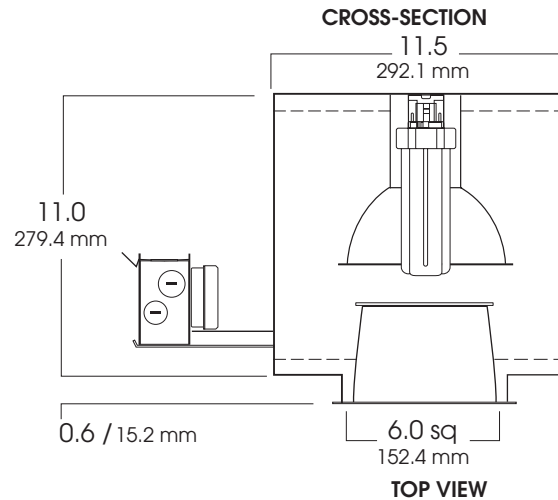
Max Ceiling Thickness: 1.0 (25.4 mm)
Ceiling Cutout: 7.0² (177.8 mm)²
Fixture Weight: 7.0 lbs



CONE OF LIGHT



6VSQ142w- Efficiency: 43.2%
Spacing: 0.77



SERIES	WATTS	BALLAST	OPTIONS	TRIM / FINISH	TRIM OPTIONS
SG6VSQ- Spectrum Gold 6" Vertical Square	113 118 126 132 142	EX -Electronic, multi-volt 120v thru 277v DA1 -Advance Mark 10™ powerline dimming, 120v ¹ DA2 -Advance Mark 10™ powerline dimming, 277v ¹ DAM7 -Advance Mark 7™ 0-10v dimming, 120v thru 277v DL1 -Lutron Compact SE™ 120v (min. dimming level 5%) ¹ DL2 -Lutron Compact SE™ 277v (min. dimming level 5%) ¹	CB24 -C-Channel bars 1-470 CCEA -Chicago Ceiling Plenum CCEA 1-480 CR -Corrosion Resistant 1-460 EM -Emergency battery pack 1-420 FS -Fuse holder and fuse IC -Insulation Contact 1-400 PR -Plaster Ring 1-430 RM -Remodeler Housing 1-450 TBC -T-bar clips 1-475 TST -Twist-Lok Socket 1-425	AR0606-SG -Semi-Diffuse Low Iridescent (standard) GM -Corrugated Soft Glow GO -Gold Alzak MB -Matte Black MW -Matte White PW -Pewter Alzak UM -Umber Alzak WE -Wheat Alzak BF -Black Flange WF -White Flange CC -Custom Color	FG -Frosted Glass GL -Clear Glass lens GS -Gasket SO -Micro Prism Solite™ lens PA -Prismatic Acrylic lens PG -Prismatic (T73) lens SK -Skytek™ linear lens WL -Wet Location 1-470
SG6VSQ	132	EX	EM/	AR0606 SG	FG

¹ Not available for 13w
Quad or TRT lamp

Note: Polished flange is
standard.

Dimensions shown are nominal. Spectrum Lighting is continually improving products and reserves the right to make changes that will not alter performance or appearance with or without written notice.



PROJECT:	TYPE:
CAT. NO.:	

