



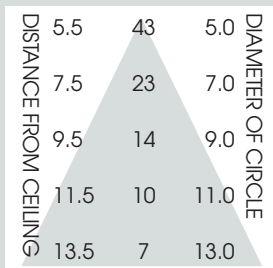
# 6" VERTICAL FLUORESCENT SQUARE APERTURE 1 x 42 WATT MAX



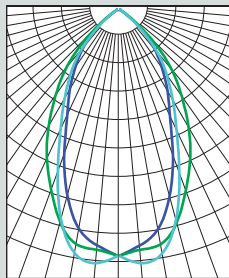
## FEATURES & SPECIFICATIONS:

- EFEX<sup>2</sup> Series CF Square aperture. Features a dual optic design with deep cutoff.
- Intended for Non-IC new construction. For IC applications, refer to page 1-400.
- Frame constructed of 20 ga. aluminum.
- Supplied with 27" long, heavy ga. galvanized steel bar hangers.
- Fluorescent ballasts shall be integrally mounted, electronic sound rated "A", Class P, multi-volt 120v - 277v.
- UL Listed for Damp Locations.
- For options detail, see page numbers listed below.

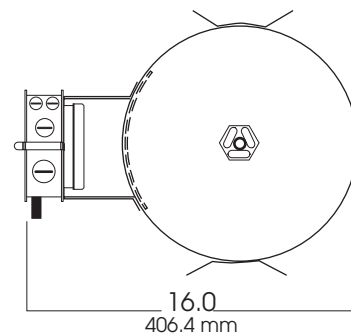
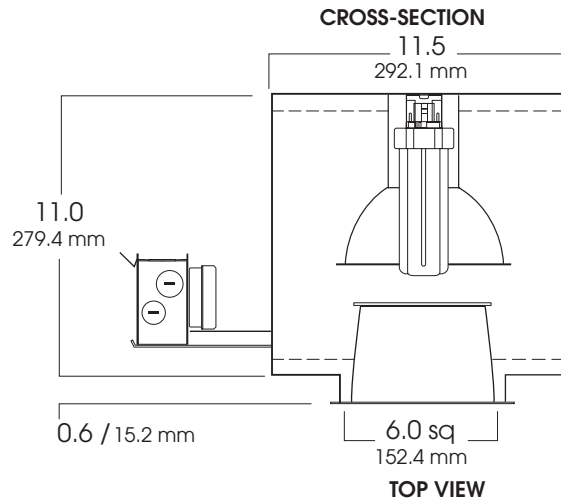
Max Ceiling Thickness: 1.0 (25.4 mm)  
 Ceiling Cutout: 7.0<sup>2</sup> (177.8 mm)<sup>2</sup>  
 Fixture Weight: 7.0 lbs



CONE OF LIGHT



6VSQ142w- Efficiency: 43.2%  
 Spacing: 0.77



SERIES	WATTS	BALLAST	OPTIONS	TRIM / FINISH	TRIM OPTIONS
<b>SG6VSQ-</b> Spectrum Gold 6" Vertical Square	<b>113</b> <b>118</b> <b>126</b> <b>132</b> <b>142</b>	<b>EX</b> -Electronic, multi-volt 120v thru 277v <b>DA1</b> -Advance Mark 10™ powerline dimming, 120v <sup>1</sup> <b>DA2</b> -Advance Mark 10™ powerline dimming, 277v <sup>1</sup> <b>DAM7</b> -Advance Mark 7™ 0-10v dimming, 120v thru 277v <b>DL1</b> -Lutron Compact SE™ 120v (min. dimming level 5%) <sup>1</sup> <b>DL2</b> -Lutron Compact SE™ 277v (min. dimming level 5%) <sup>1</sup>	<b>CB24</b> -C-Channel bars 1-470 <b>CCEA</b> -Chicago Ceiling Plenum CCEA 1-480 <b>CR</b> -Corrosion Resistant 1-460 <b>EM</b> -Emergency battery pack 1-420 <b>FS</b> -Fuse holder and fuse <b>IC</b> -Insulation Contact 1-400 <b>PR</b> -Plaster Ring 1-430 <b>RM</b> -Remodeler Housing 1-450 <b>TBC</b> -T-bar clips 1-475 <b>TST</b> -Twist-Lok Socket 1-425	<b>AR0606-SG</b> -Semi-Diffuse Low Iridescent (standard) <b>GM</b> -Corrugated Soft Glow <b>GO</b> -Gold Alzak <b>MB</b> -Matte Black <b>MW</b> -Matte White <b>PW</b> -Pewter Alzak <b>UM</b> -Umber Alzak <b>WE</b> -Wheat Alzak <b>BF</b> -Black Flange <b>WF</b> -White Flange <b>CC</b> -Custom Color	<b>FG</b> -Frosted Glass <b>GL</b> -Clear Glass lens <b>GS</b> -Gasket <b>SO</b> -Micro Prism Solite™ lens <b>PA</b> -Prismatic Acrylic lens <b>PG</b> -Prismatic (T73) lens <b>SK</b> -Skytek™ linear lens <b>WL</b> -Wet Location 1-470
<b>SG6VSQ</b>	<b>132</b>	<b>EX</b>	<b>EM/</b>	<b>AR0606 SG</b>	<b>FG</b>

<sup>1</sup> Not available for 13w Quad or TRT lamp

Note: Polished flange is standard.

Dimensions shown are nominal. Spectrum Lighting is continually improving products and reserves the right to make changes that will not alter performance or appearance with or without written notice.



<b>PROJECT:</b>	<b>TYPE:</b>
<b>CAT. NO.:</b>	

