



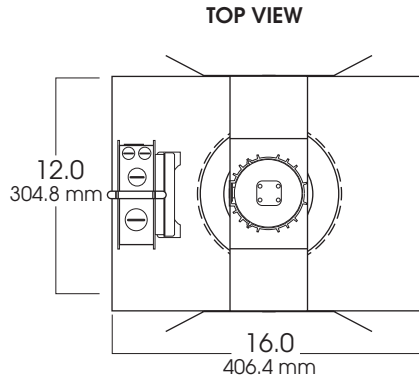
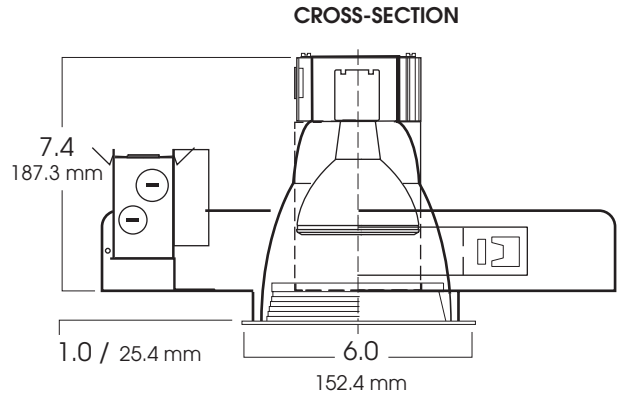
**6" METAL HALIDE SERIES
LENSED SPLAY
70 WATT MAX**



FEATURES & SPECIFICATIONS:

- Series features a deep reflector for excellent cutoff.
- Intended for Non-IC new construction.
For IC applications, refer to page 1-400.
- Frame constructed of 20 ga. galvanized steel.
- Supplied with 27" long, heavy ga. galvanized steel bar hangers.
- UL Listed for Damp Locations.
- For options detail, see page numbers listed below.

Max Ceiling Thickness: 1.5 (38.1 mm)
 Ceiling Cutout: 6.2 Ø (157.8 mm Ø)
 Fixture Weight: 4.0 lbs



FIXTURE LAMPING *
PAR30L - 39W, 70W
PAR38 - 70W
 *Medium base

SERIES	WATTS	BALLAST	LAMP	OPTIONS	SPLAY	TRIM OPTIONS
SG6MH- Spectrum Gold 6" Vertical	39 70	EX -Electronic, multi-volt 120v or 277v E1 -Electronic 120v (150w only) E2 -Electronic 277v (150w only)	PAR30L PAR38	CB24 -C-Channel bars 1-470 CCEA -Chicago Ceiling Plenum CCEA 1-480 CR -Corrosion Resistant 1-460 FS -Fuse holder and fuse PR -Plaster Ring 1-430 RM -Remodeler Housing 1-450 TBC -T-bar clips 1-475	AR6425-WS -White w/White flange (standard) CS -Clear Alzak w/white flange CSPF -Clear Alzak w/polished flange SGS -Semi-Diffuse Low-ridescent w/white flange SGSPF -Semi-Diffuse Low-ridescent w/polished flange RB -Regressed black baffled w/white flange RBBF -Regressed black baffled w/black flange RW -Regressed white baffled w/white flange CC -Custom Color	PG -Prismatic (T73) lens (standard) FG -Frosted Glass FL -Fresnel Lens GL -Clear Glass lens GS -Gasket PC -Clear Polycarbonate PP -Prismatic Polycarbonate WL -Wet Location 1-470 XB¹ -Cross Blade Louver
SG6MH	39	EX	PAR38	CB24	AR6425 SG	WB

Dimensions shown are nominal. Spectrum Lighting is continually improving products and reserves the right to make changes that will not alter performance or appearance with or without written notice.



PROJECT:	TYPE:
CAT. NO.:	

