



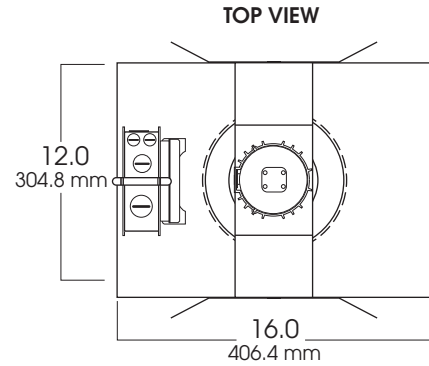
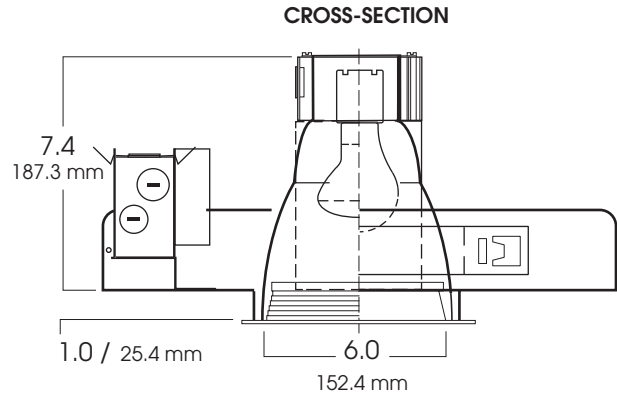
6" INCANDESCENT SERIES LENSED SPLAY 200 WATT MAX

6IN
SPECTRUM
GOLD SERIES™

FEATURES & SPECIFICATIONS:

- Series features a deep reflector for excellent cutoff.
- Intended for Non-IC new construction.
For IC applications, refer to page 1-400.
- Frame constructed of 20 ga. galvanized steel.
- Supplied with 27" long, heavy ga. galvanized steel bar hangers.
- **120 Volt** is standard. Use option **T277** for 277v supply feed.
- UL Listed for Damp Locations.
- For options detail, see page numbers listed below.

Max Ceiling Thickness: 1.5 (38.1 mm)
Ceiling Cutout: 6.2 Ø (157.8 mm Ø)
Fixture Weight: 4.0 lbs



SERIES	OPTIONS	SPLAY	TRIM OPTIONS	FIXTURE LAMPING*	
SG6IN- Spectrum Gold 6" Vertical	CB24 -C-Channel bars 1-470	AR6425-WS -White w/White flange (standard) CS -Clear Alzak w/white flange CSPF -Clear Alzak w/polished flange SGS -Semi-Diffuse Low-Iridescent w/white flange SGSPF -Semi-Diffuse Low-Iridescent w/polished flange RB -Regressed black baffled w/ white flange RBBF -Regressed black baffled w/ black flange RW -Regressed white baffled w/ white flange CC -Custom Color	PG -Prismatic (T73) lens (standard) FG -Frosted Glass FL -Fresnel Lens GL -Clear Glass lens GS -Gasket PC -Clear Polycarbonate PP -Prismatic Polycarbonate WL -Wet Location 1-470 XB¹ -Cross Blade Louver	LAMP	MAX. WATTAGE
	CCEA -Chicago Ceiling Plenum CCEA 1-480 CR -Corrosion Resistant 1-460 FS -Fuse holder and fuse IC -Insulation Contact 1-400 PR -Plaster Ring 1-430 RM -Remodeler Housing 1-450 SCA -Slope Ceiling Adaptor 1-435 TBC -T-bar clips 1-475 T277 -Step down Transformer 277v to 120v			A19 100w A21 200w PAR 30L 75w R30 100w PAR 38 150w R40 200w	*Medium Base
SG6IN	CB24	AR6425 SG	WB	*For Available Decorative Architectural Trims , see page 1-490	

Dimensions shown are nominal. Spectrum Lighting is continually improving products and reserves the right to make changes that will not alter performance or appearance with or without written notice.



PROJECT:	TYPE:
CAT. NO.:	

