



# 6" HORIZONTAL FLUORESCENT LENSED SPLOY

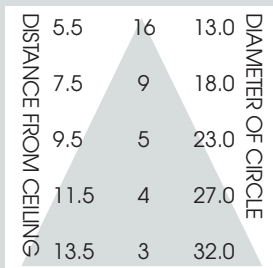
2 X 26 WATT / 1 X 42 WATT MAX



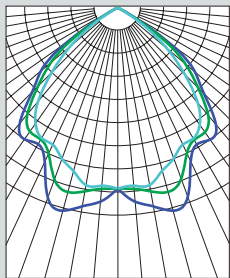
### FEATURES & SPECIFICATIONS:

- SG6H lensed series features shallow height and lensed aperture.
- Intended for Non-IC new construction. For IC applications, refer to page 1-400.
- Frame constructed of 20 ga. galvanized steel.
- Supplied with 27" long, heavy ga. galvanized steel bar hangers.
- Ballasts shall be integrally mounted, electronic sound rated "A", Class P, multi-volt 120v - 277v.
- UL Listed for Damp Locations.
- For options detail, see page numbers listed below.

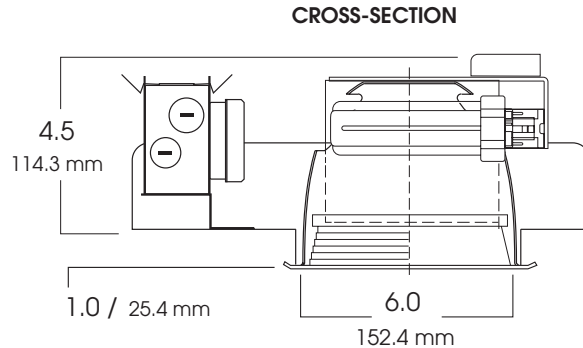
Max Ceiling Thickness: 1.0 (25.4 mm)  
 Ceiling Cutout: 6.6 Ø (167.6 mm Ø)  
 Fixture Weight: 4.4 lbs



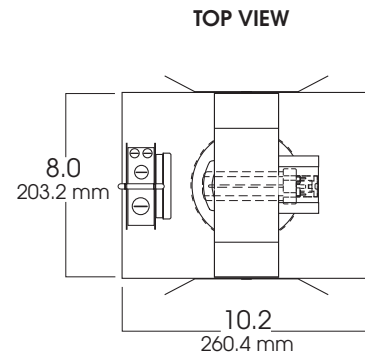
CONE OF LIGHT



6H132w-Efficiency: 42.7%  
 Spacing: 1.36



CROSS-SECTION



TOP VIEW

SERIES	WATTS	BALLAST	OPTIONS	SPRAY	TRIM OPTIONS
<b>SG6H-</b> Spectrum Gold 6" Horizontal	<b>(1 or 2) 13<sup>1</sup></b> <b>(1 or 2) 18<sup>1</sup></b> <b>(1 or 2) 26Q<sup>2</sup></b> <b>126T<sup>2</sup></b> <b>132</b> <b>142</b>	<b>EX</b> -Electronic, multi-volt 120v thru 277v <b>DA1</b> -Advance Mark 10™ powerline dimming, 120v <sup>1</sup> <b>DA2</b> -Advance Mark 10™ powerline dimming, 277v <sup>1</sup> <b>DAM7</b> -Advance Mark 7™ 0-10v dimming, 120v thru 277v <b>DL1</b> -Lutron Compact SE™ 120v (min. dimming level 5%) <sup>1</sup> <b>DL2</b> -Lutron Compact SE™ 277v (min. dimming level 5%) <sup>1</sup>	<b>CB24</b> -C-Channel bars 1-470 <b>CCEA</b> -Chicago Ceiling Plenum CCEA 1-480 <b>CR</b> -Corrosion Resistant 1-460 <b>EM</b> -Emergency battery pack 1-420 <b>FS</b> -Fuse holder and fuse <b>IC</b> -Insulation Contact 1-400 <b>PR</b> -Plaster Ring 1-430 <b>RM</b> -Remodeler Housing 1-450 <b>TBC</b> -T-bar clips 1-475 <b>TP</b> -Tamper Resistant <b>TST</b> -Twist-Lok Socket 1-425	<b>AR6520-</b> <b>(2 lamp)</b> 13w, 18w, 26wQ lamps <b>AR6625-</b> <b>(1 lamp)</b> 13w, 18w, 26wT,32w 42w lamp <b>WS</b> -White w/White flange (standard) <b>CS</b> -Clear Alzak w/white flange <b>CSPF</b> -Clear Alzak w/polished flange <b>SGS</b> -Semi-Diffuse Low- Iridescent w/white flange <b>SGSPF</b> -Semi-Diffuse Low- Iridescent w/polished flange <b>RB</b> -Regressed black baffled w/white flange <b>RBBF</b> -Regressed black baffled w/black flange <b>RW</b> -Regressed white baffled w/white flange <b>CC</b> -Custom Color	<b>PG</b> -Prismatic (T73) lens (standard) <b>FG</b> -Frosted Glass <b>FL</b> -Fresnel Lens <b>GL</b> -Clear Glass lens <b>GS</b> -Gasket <b>PC</b> -Clear Polycarbonate <b>PP</b> -Prismatic Polycarbonate <b>WL</b> -Wet Location 1-470 <b>XB<sup>1</sup></b> -Cross Blade Louver  <sup>1</sup> For <b>WS, CS, CSPF, SGS</b> and <b>SGSPF</b> trims only
<b>SG6H</b>	<b>132</b>	<b>EX</b>	<b>EM/</b>	<b>AR6520 WS</b>	<b>PG</b>

Dimensions shown are nominal. Spectrum Lighting is continually improving products and reserves the right to make changes that will not alter performance or appearance with or without written notice.



<b>PROJECT:</b>	<b>TYPE:</b>
<b>CAT. NO.:</b>	

