



# 5" VERTICAL FLUORESCENT LENSED SPLAY

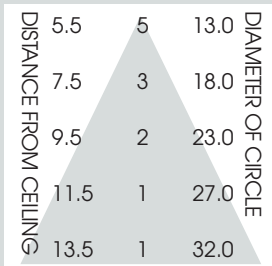
1 x 32 WATT MAX

**5V**  
**SPECTRUM**  
**GOLD SERIES™**

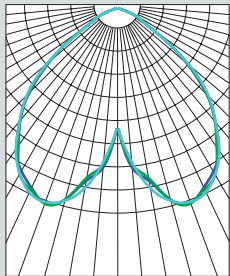
### FEATURES & SPECIFICATIONS:

- 5" aperture series features a wide variety of lenses and splays.
- Intended for Non-IC new construction. For IC applications, refer to page 1-400.
- Frame constructed of 20 ga. galvanized steel.
- Supplied with 27" long, heavy ga. galvanized steel bar hangers.
- Ballasts shall be integrally mounted, electronic sound rated "A", Class P, multi-volt 120v - 277v.
- UL Listed for Damp Locations.
- For options detail, see page numbers listed below.

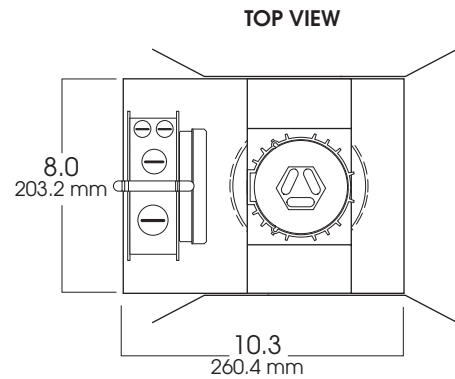
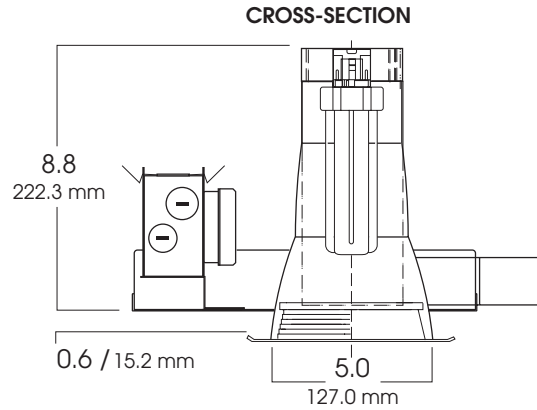
Max Ceiling Thickness: 1.5 (38.1 mm)  
Ceiling Cutout: 5.2 Ø (133.4 mm Ø)  
Fixture Weight: 4.0 lbs



CONE OF LIGHT



5V126w- Efficiency: 32.6%  
Spacing: 1.79



SERIES	WATTS	BALLAST	OPTIONS	SPLAY	TRIM OPTIONS
<b>SG5V-</b> Spectrum Gold 5" Vertical	<b>113</b> <b>118</b> <b>126</b> <b>132</b>	<b>EX</b> -Electronic, multi-volt 120v thru 277v <b>DA1</b> -Advance Mark 10™ powerline dimming, 120v <sup>1</sup> <b>DA2</b> -Advance Mark 10™ powerline dimming, 277v <sup>1</sup> <b>DAM7</b> -Advance Mark 7™ 0-10v dimming, 120v thru 277v <b>DL1</b> -Lutron Compact SE™ 120v (min. dimming level 5%) <sup>1</sup> <b>DL2</b> -Lutron Compact SE™ 277v (min. dimming level 5%) <sup>1</sup>	<b>CB24</b> -C-Channel bars 1-470 <b>CCEA</b> -Chicago Ceiling Plenum CCEA 1-480 <b>CR</b> -Corrosion Resistant 1-460 <b>EM</b> -Emergency battery pack 1-420 <b>FS</b> -Fuse holder and fuse <b>IC</b> -Insulation Contact 1-400 <b>PR</b> -Plaster Ring 1-430 <b>RM</b> -Remodeler Housing 1-450 <b>TBC</b> -T-bar clips 1-475 <b>TP</b> -Tamper Resistant <b>TST</b> -Twist-Lok Socket 1-425	<b>AR5325-WS</b> -White w/White flange (standard) <b>CS</b> -Clear Alzak w/white flange <b>CSPF</b> -Clear Alzak w/polished flange <b>SGS</b> -Semi-Diffuse Low-Iridescent w/white flange <b>SGSPF</b> -Semi-Diffuse Low-Iridescent w/polished flange <b>RB</b> -Regressed black baffled w/white flange <b>RBBF</b> -Regressed black baffled w/black flange <b>RW</b> -Regressed white baffled w/white flange <b>CC</b> -Custom Color	<b>PG</b> -Prismatic (T73) lens (standard) <b>FG</b> -Frosted Glass <b>FL</b> -Fresnel Lens <b>GL</b> -Clear Glass lens <b>GS</b> -Gasket <b>PC</b> -Clear Polycarbonate <b>PP</b> -Prismatic Polycarbonate <b>WL</b> -Wet Location 1-470 <b>XB<sup>1</sup></b> -Cross Blade Louver
<b>SG5V</b>	<b>132</b>	<b>EX</b>	<b>EM/</b>	<b>AR5325 WS</b>	<b>PG</b>

<sup>1</sup> Not available for 13w Quad or TRT lamp

<sup>1</sup> For **WS, CS, CSPF, SGS** and **SGSPF** trims only

Dimensions shown are nominal. Spectrum Lighting is continually improving products and reserves the right to make changes that will not alter performance or appearance with or without written notice.



<b>PROJECT:</b>	<b>TYPE:</b>
<b>CAT. NO.:</b>	

