



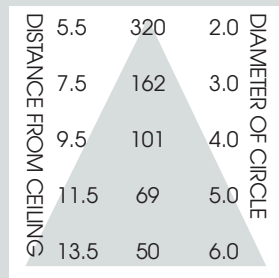
5" METAL HALIDE SERIES LENSED SPLOY 50 WATT MAX

5MH
SPECTRUM
GOLD SERIES™

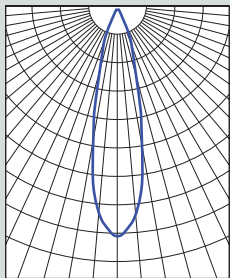
FEATURES & SPECIFICATIONS:

- Small aperture series with a wide variety of lenses and splays.
- Intended for Non-IC new construction.
- Frame constructed of 20 ga. galvanized steel.
- Supplied with 27" long, heavy ga. galvanized steel bar hangers.
- Ballasts shall be integrally mounted, electronic sound rated "A", multi-volt 120v or 277v.
- UL Listed for Damp Locations.
- For options detail, see page numbers listed below.

Max Ceiling Thickness: 1.0 (25.4 mm)
Ceiling Cutout: 5.3 Ø (133.4 mm Ø)
Fixture Weight: 4.4 lbs

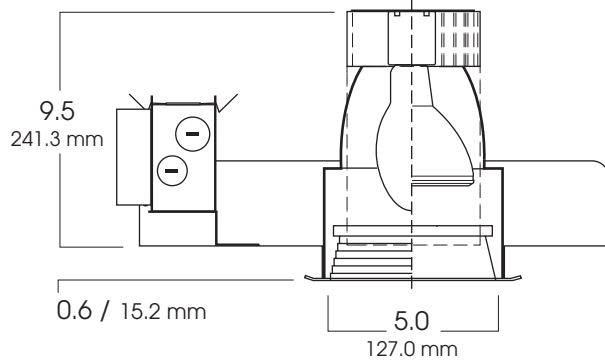


CONE OF LIGHT

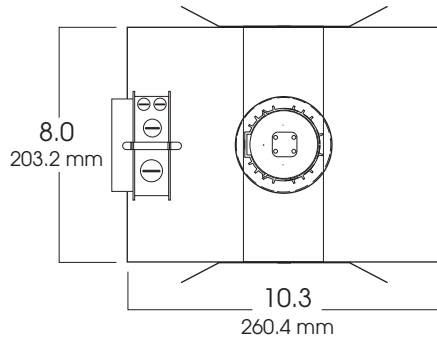


5MH39w-Efficiency: 91.2%
Spacing:0.42

CROSS-SECTION



TOP VIEW



FIXTURE LAMPING *

- ED17 - 50W
- PAR20 - 20W, 39W
- PAR30L - 20W, 39W

* All lamps are medium based

SERIES	WATTS	BALLAST	OPTIONS	SPRAY	TRIM OPTIONS
SG5MH- Spectrum Gold 5" Vertical	20 39 50	EX -Electronic, multi-volt 120v thru 277v	CB24 -C-Channel bars 1-470 CCEA -Chicago Ceiling Plenum CCEA 1-480 CR -Corrosion Resistant 1-460 FS -Fuse holder and fuse PR -Plaster Ring 1-430 RM -Remodeler Housing 1-450 TBC -T-bar clips 1-475 TP -Tamper Resistant	AR5225-WS -White w/White flange (standard) CS -Clear Alzak w/white flange CSPF -Clear Alzak w/polished flange SGS -Semi-Diffuse w/white flange SGSPF -Semi Diffuse Low- Iridescent w/polished flange RB -Regressed black baffled w/white flange RBBF -Regressed black baffled w/black flange RW -Regressed white baffled w/white flange FW -Flush White Door CC -Custom Color	GL -Clear Glass lens PG -Prismatic (T73) lens (standard) SO -Micro Prism Solite™ lens FG -Frosted Glass Lens XB ¹ -Cross Blade Louver GS -Gasket WL -Wet Location 1-470
SG5MH	50	EX	CB24	AR5225 WS	PG

Dimensions shown are nominal. Spectrum Lighting is continually improving products and reserves the right to make changes that will not alter performance or appearance with or without written notice.



PROJECT: _____ TYPE: _____
CAT. NO.: _____

