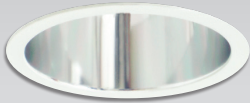


5" METAL HALIDE SERIES OPEN REFLECTOR / BAFFLE 70 WATT MAX

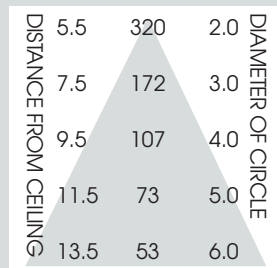
5MH
SPECTRUM
GOLD SERIES™



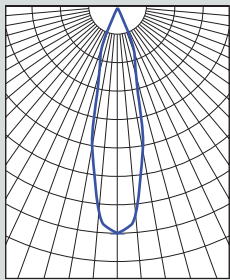
FEATURES & SPECIFICATIONS:

- 5 MH series features a small aperture series with deep cutoff and multiple available lamps.
- Intended for Non-IC new construction.
- Frame constructed of 20 ga. galvanized steel.
- Supplied with 27" long, heavy ga. galvanized steel bar hangers.
- Ballasts shall be integrally mounted, electronic sound rated "A", multi-volt 120v or 277v.
- UL Listed for Damp Locations.
- For options detail, see page numbers listed below.

Max Ceiling Thickness: 1.0 (25.4 mm)
Ceiling Cutout: 5.3 Ø (133.4 mm Ø)
Fixture Weight: 4.4 lbs

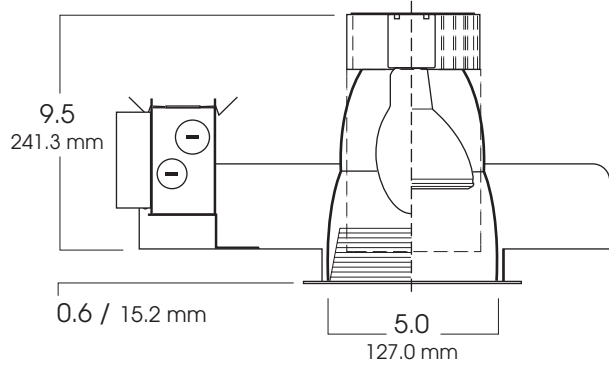


CONE OF LIGHT

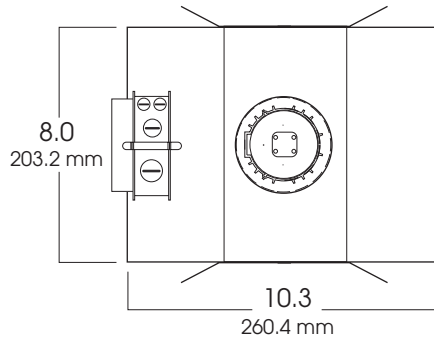


5MH39w - Efficiency: 96.6%
Spacing: 0.42

CROSS-SECTION



TOP VIEW



FIXTURE LAMPING *

- ED17¹ - 50W, 70W
- PAR20 - 20W, 39W
- PAR30L - 20W, 39W, 70W

* All lamps are medium based
¹ Open Rated only

SERIES	WATTS	BALLAST	OPTIONS	TRIM / FINISH	TRIM OPTIONS
SG5MH- Spectrum Gold 5" Vertical	20 39 50 70	EX -Electronic, multi-volt 120v thru 277v	CB24 -C-Channel bars 1-470 CCEA -Chicago Ceiling Plenum CCEA 1-480 CR -Corrosion Resistant 1-460 FS -Fuse holder and fuse PR -Plaster Ring 1-430 RM -Remodeler Housing 1-450 TBC -T-bar clips 1-475 SCA -Slope Ceiling Adaptor 1-435	AR5215-SG -Semi-Diffuse Low Iridescent (standard) CL -Clear Bright Alzak GO -Gold Alzak HZ -Matte Low Iridescent PW -Pewter Alzak UM -Umber Alzak WE -Wheat Alzak BL -Black Finish WH -White Finish PF -Polished Flange Note: White flange is standard.	GS -Gasket BB -Black Micro Baffle WB -White Micro Baffle *For Available Decorative Architectural Trims, see page 1-490
SG5MH	70	EX	CB24	AR5215 SG	GS

Dimensions shown are nominal. Spectrum Lighting is continually improving products and reserves the right to make changes that will not alter performance or appearance with or without written notice.



PROJECT:	TYPE:
CAT. NO.:	

