



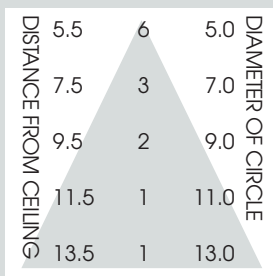
# 4" HORIZONTAL FLUORESCENT SQUARE APERTURE 1 x 42 WATT MAX



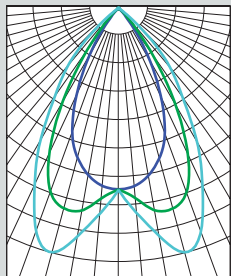
## FEATURES & SPECIFICATIONS:

- EFEX<sup>2</sup> Series CF Square aperture. Series features shallow plenum and deep cutoff.
- Intended for Non-IC new construction. For IC applications, refer to page 1-400.
- Frame constructed of 20 ga. galvanized steel.
- Supplied with 27" long, heavy ga. galvanized steel bar hangers.
- Ballasts shall be integrally mounted, electronic sound rated "A", Class P, multi-volt 120v – 277v.
- Upper reflector shall be high purity specular aluminum.
- UL Listed for Damp Locations.
- For options detail, see page numbers listed below.

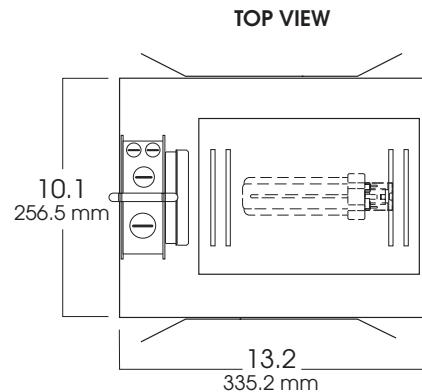
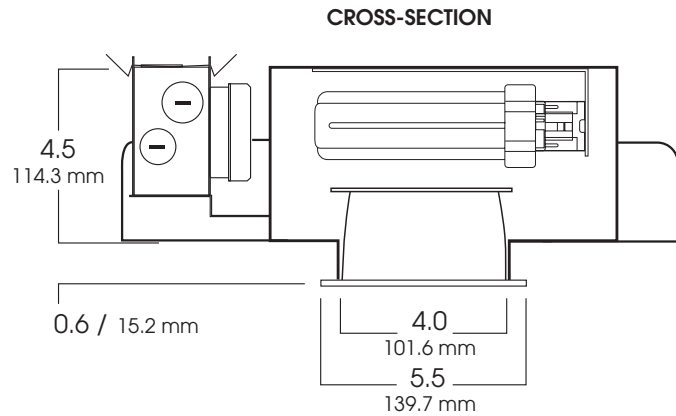
Max Ceiling Thickness: 1.0 (25.4 mm)  
Ceiling Cutout: 5.0<sup>2</sup> (127.0 mm)<sup>2</sup>  
Fixture Weight: 6.6 lbs



CONE OF LIGHT



4HSQ132w-Efficiency: 23.7%  
Spacing: 0.85



SERIES	WATTS	BALLAST	OPTIONS	TRIM / FINISH	TRIM OPTIONS
<b>SG4HSQ-</b> Spectrum Gold 4" Horizontal Square	<b>113</b> <b>118</b> <b>126</b> <b>132</b> <b>142</b>	<b>EX</b> -Electronic, multi-volt 120v thru 277v <b>DA1</b> -Advance Mark 10™ powerline dimming, 120v <sup>1</sup> <b>DA2</b> -Advance Mark 10™ powerline dimming, 277v <sup>1</sup> <b>DAM7</b> -Advance Mark 7™ 0-10v dimming, 120v thru 277v <b>DL1</b> -Lutron Compact SE™ 120v (min. dimming level 5%) <sup>1</sup> <b>DL2</b> -Lutron Compact SE™ 277v (min. dimming level 5%) <sup>1</sup>	<b>CB24</b> -C-Channel bars 1-470 <b>CCEA</b> -Chicago Ceiling Plenum CCEA 1-480 <b>CR</b> -Corrosion Resistant 1-460 <b>EM</b> -Emergency battery pack 1-420 <b>FS</b> -Fuse holder and fuse <b>IC</b> -Insulation Contact 1-400 <b>PR</b> -Plaster Ring 1-430 <b>RM</b> -Remodeler Housing 1-450 <b>TBC</b> -T-bar clips 1-475 <b>TST</b> -Twist-Lok Socket 1-425	<b>AR0404-SG</b> -Semi-Diffuse Low Iridescent (standard) <b>GM</b> -Corrugated Soft Glow <b>GO</b> -Gold Alzak <b>MB</b> -Matte Black <b>MW</b> -Matte White <b>PW</b> -Pewter Alzak <b>UM</b> -Umber Alzak <b>WE</b> -Wheat Alzak <b>BF</b> -Black Flange <b>WF</b> -White Flange <b>CC</b> -Custom Color	<b>FG</b> -Frosted Glass <b>GL</b> -Clear Glass lens <b>GS</b> -Gasket <b>SO</b> -Micro Prism Solite™ lens <b>PA</b> -Prismatic Acrylic lens <b>PG</b> -Prismatic (T73) lens <b>SK</b> -Skytek™ linear lens <b>WL</b> -Wet Location 1-470
<b>SG4HSQ</b>	<b>132</b>	<b>EX</b>	<b>EM/</b>	<b>AR0404 SG</b>	<b>GS</b>

<sup>1</sup> Not available for 13w  
Quad or TRT lamp

Note: Polished flange is  
standard.

Dimensions shown are nominal. Spectrum Lighting is continually improving products and reserves the right to make changes that will not alter performance or appearance with or without written notice.



<b>PROJECT:</b>	<b>TYPE:</b>
<b>CAT. NO.:</b>	

