



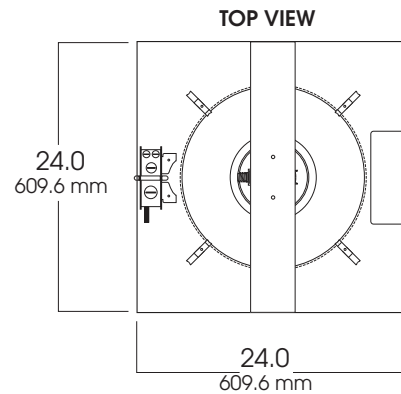
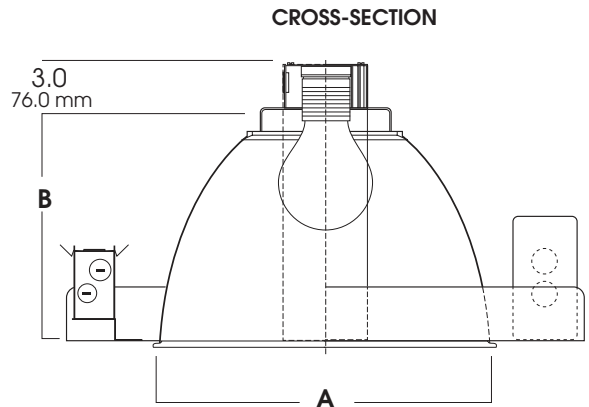
2' x 2' QL SERIES OPEN REFLECTOR /BAFFLE 165 WATT MAX



FEATURES & SPECIFICATIONS:

- 2' x 2' pan to fit in grid ceiling, with choice of reflector.
- QL system technology- 100,000 hrs. rated life.
- Clear tempered safety glass lens optional.
- Intended for Non-IC new construction.
- Frame constructed of 18 ga. galvanized steel.
- Supplied with 27" long, heavy ga. galvanized steel bar hangers.
- High frequency generator, -9% THD.
- Manufactured and tested to UL standard No. 1598. ETL Listed.
- For options details, see page numbers listed below.

Max Ceiling Thickness: 1.0 (25.4 mm)
 Ceiling Cutout: 23.5 Ø (596.9 mm)
 Fixture Weight: 9.0 lbs (MH)



SERIES	WATTS	KELVIN°	GENERATOR	OPTIONS	REFLECTOR / FINISH	TRIM OPTIONS
SG22QL- Spectrum Gold 2' x 2' Vertical QL System	55 85 165	3K -3000° Kelvin 4K -4000° Kelvin	G1 -QL Generator 120v G2 -QL Generator 277v	CB24 -C-Channel bars 1-470 CCEA -Chicago Ceiling Plenum CCEA 1-480 CR -Corrosion Resistant 1-460 FS -Fuse holder and fuse PR -Plaster Ring 1-430 RM -Remodeler Housing 1-450 TBC -T-bar clips 1-475	1208- WH -White Finish 12.0 dia./ 8.0 deep SG -Semi-Diffuse Low Iridescent 1611- CL -Clear Bright Alzak GO -Gold Alzak HZ -Matte Low Iridescent 2214- PW -Pewter Alzak UM -Umber Alzak WE -Wheat Alzak BL -Black Finish WH -White Finish PF -Polished Flange	GS -Gasket DR -Door to Support Lens GL -Clear Glass lens FG -Frosted Glass Lens PG -Prismatic Glass Lens
SG22QL	55	3K	G1	CB24	1611 WH Note: White flange is standard.	GS

Dimensions shown are nominal. Spectrum Lighting is continually improving products and reserves the right to make changes that will not alter performance or appearance with or without written notice.



PROJECT:	TYPE:
CAT. NO.:	

