



# 12" METAL HALIDE SERIES LENSD DOWNLIGHT

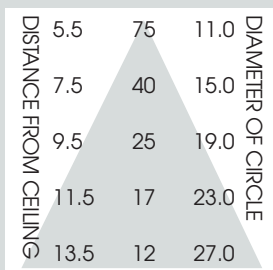
## 150 WATT MAX

### 12SQMH SPECTRUM GOLD SERIES™

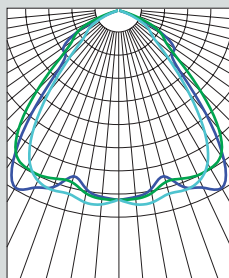
#### FEATURES & SPECIFICATIONS:

- 12" Square Metal Halide Platform. Features shallow plenum and wide distribution.
- Intended for Non-IC new construction.
- Frame constructed of 18 ga. galvanized steel.
- Supplied with 27" long, heavy ga. galvanized steel bar hangers.
- Ballasts shall be integrally mounted, electronic sound rated "A", multi-volt 120v or 277v.
- UL Listed for Damp Locations.
- For options detail, see page numbers listed below.

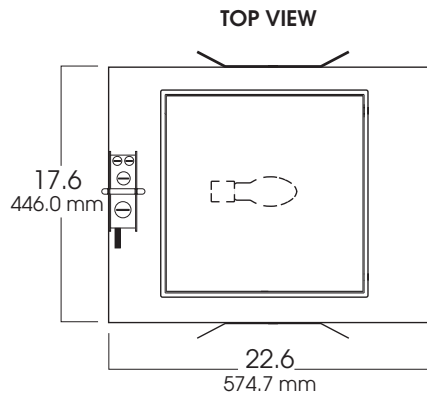
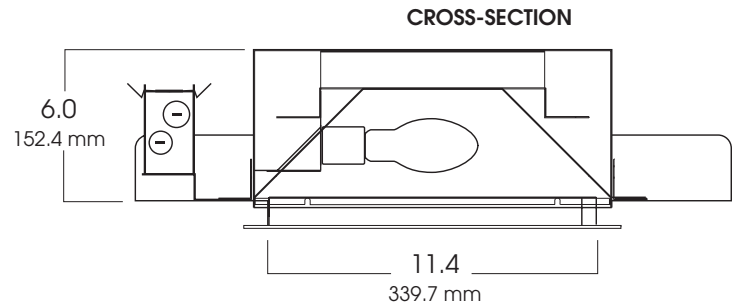
Max Ceiling Thickness: 1.5 (38.1 mm)  
 Ceiling Cutout: 13.5" (342.9 mm)<sup>2</sup>  
 Fixture Weight: 17.0 lbs



CONE OF LIGHT



12SQMHw - Efficiency: 66.4%  
Spacing: 1.43



**FIXTURE LAMPING**  
**BD17 (HSP) - 50W thru 150W**  
**ED17 (MH) - 50W thru 150W**

SERIES	WATTS	BALLAST	LAMP <sup>1</sup>	OPTIONS	TRIM	LENS
<b>SG12SQMH*</b> Spectrum Gold 12" Horizontal Square	<b>50</b> <b>70</b> <b>100</b> <b>150<sup>1</sup></b>	<b>EX<sup>1</sup></b> -Electronic, multi-volt 120v or 277v <b>E1<sup>1</sup></b> -Electronic 120v (150w MH only) <b>E2<sup>1</sup></b> -Electronic 277v (150w MH only) <b>H1</b> -F-Can ballast, 120v <b>H2</b> -F-Can ballast, 277v	<b>BD17</b> <b>ED17</b>	<b>CB24</b> -C-Channel bars 1-470 <b>CCEA</b> -Chicago Ceiling Plenum CCEA 1-480 <b>CR</b> -Corrosion Resistant 1-460 <b>FS</b> -Fuse holder and fuse <b>PR</b> -Plaster Ring 1-430 <b>RM</b> -Remodeler Housing 1-450 <b>TBC</b> -T-bar clips 1-475 <b>TP</b> -Tamper Resistant <b>QRS120</b> -Quartz Restrike-120v <b>QRS277</b> -Quartz Restrike-277v	<b>FW</b> -Flush White Door (standard) <b>FB</b> -Flush Black Door <b>FT</b> -Flush Silver Door	<b>PG</b> -Prismatic (T73) lens (standard) <b>FG</b> -Frosted Glass <b>GL</b> -Clear Glass <b>HCL</b> -Holophane Concave Lens
* For High Pressure Sodium use <b>HS</b>	<sup>1</sup> Must specify voltage	<sup>1</sup> Metal Halide only	<sup>1</sup> Medium Base			
<b>SG12SQMH</b>	<b>50</b>	<b>EX</b>	<b>ED17</b>	<b>CB24</b>	<b>FW</b>	<b>PG</b>

Dimensions shown are nominal. Spectrum Lighting is continually improving products and reserves the right to make changes that will not alter performance or appearance with or without written notice.



**PROJECT:** \_\_\_\_\_ **TYPE:** \_\_\_\_\_

**CAT. NO.:** \_\_\_\_\_

