



12" INCANDESCENT SERIES OPEN REFLECTOR / BAFFLE

500 WATT MAX



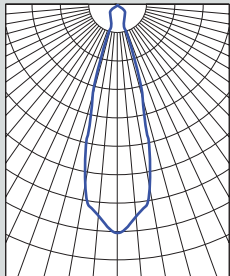
FEATURES & SPECIFICATIONS:

- Series features a deep reflector and excellent cutoff.
- Intended for Non-IC new construction.
- Frame constructed of 18 ga. galvanized steel.
- Supplied with 27" long, heavy ga. galvanized steel bar hangers.
- **120 Volt** is standard. Use option **T277** for 277v supply feed.
- UL Listed for Damp Locations.
- For options detail, see page numbers listed below.

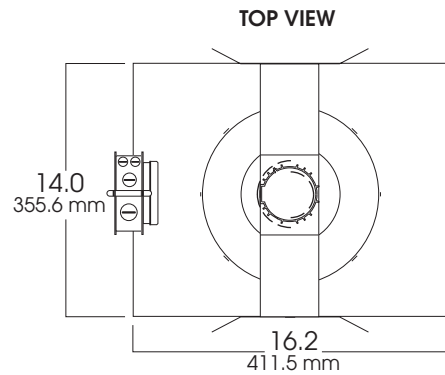
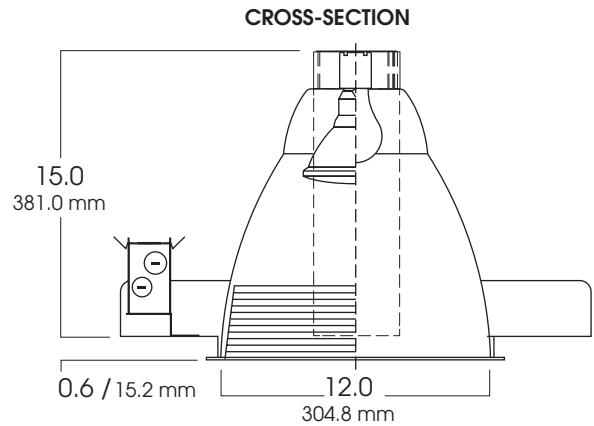
Max Ceiling Thickness: 1.0 (25.4 mm)
 Ceiling Cutout: 12.3 Ø (311.2 mm Ø)
 Fixture Weight: 9.0 lbs

DISTANCE FROM CEILING		DIAMETER OF CIRCLE
5.5	317	3.0
7.5	171	4.0
9.5	106	5.0
11.5	73	6.0
13.5	53	7.0

CONE OF LIGHT



12IN250w-Efficiency: 98.2%
Spacing: 0.50



SERIES	OPTIONS	TRIM / FINISH	TRIM OPTIONS	FIXTURE LAMPING										
SG12IN- Spectrum Gold 12" Vertical	CB24 -C-Channel bars 1-470 CCEA -Chicago Ceiling Plenum CCEA 1-480 CR -Corrosion Resistant 1-460 FS -Fuse holder and fuse MG¹ -Mogul Base PR -Plaster Ring 1-430 RM -Remodeler Housing 1-450 TBC -T-bar clips 1-475 T277 -Step down Transformer 277v to 120v	AR1210-SG -Semi-Diffuse Low Iridescent (standard) CL -Clear Bright Alzak GO -Gold Alzak HZ -Matte Low Iridescent PW -Pewter Alzak UM -Umber Alzak WE -Wheat Alzak BL -Black Finish WH -White Finish PF -Polished Flange	GS -Gasket BB -Black Micro Baffle WB -White Micro Baffle	<table border="1"> <thead> <tr> <th>LAMP</th> <th>MAX. WATTAGE</th> </tr> </thead> <tbody> <tr> <td>A 21</td> <td>200w</td> </tr> <tr> <td>PS 25</td> <td>300w</td> </tr> <tr> <td>PAR 38</td> <td>250w</td> </tr> <tr> <td>R 40¹</td> <td>500w</td> </tr> </tbody> </table> <p>All lamps are medium base (standard) ¹ Specify MG for Mogul Base NOTE: This lamping is for NON-IC only.</p>	LAMP	MAX. WATTAGE	A 21	200w	PS 25	300w	PAR 38	250w	R 40 ¹	500w
LAMP	MAX. WATTAGE													
A 21	200w													
PS 25	300w													
PAR 38	250w													
R 40 ¹	500w													
SG12IN	CB24	AR1210 SG	WB	<p>¹ For R40 300w thru 500w only</p> <p>Note: White flange is standard.</p> <p>*For Available Decorative Architectural Trims, see page 1-490</p>										

Dimensions shown are nominal. Spectrum Lighting is continually improving products and reserves the right to make changes that will not alter performance or appearance with or without written notice.



PROJECT:	TYPE:
CAT. NO.:	

