



12" SQUARE FLUORESCENT CENTER ACCENT LAMP

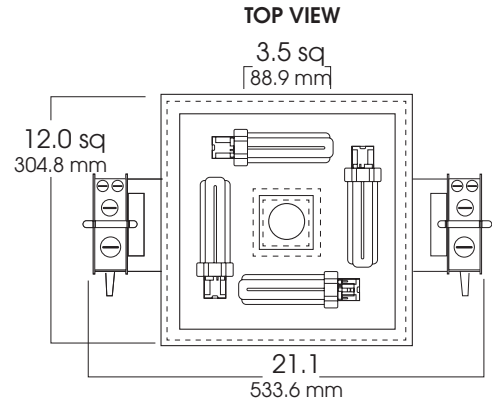
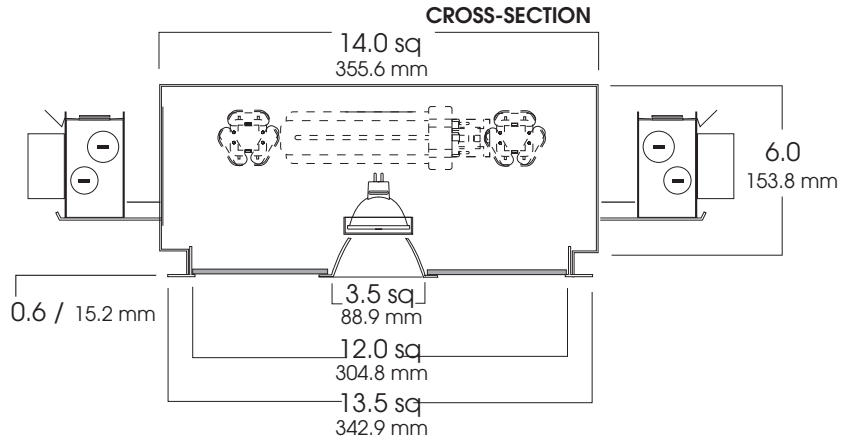
4 x 42 / 1 x MR16 LAMPING

12HSQ
SPECTRUM
GOLD SERIES™

FEATURES & SPECIFICATIONS:

- 12" Flush frosted glass door with 3.5 square center.
- 4x42W att CFL provides even illumination.
- MR16 (or MR16LED) in center provides sparkle.
- ntended for Non-IC new construction.
- Frame constructed of 18 ga. galvanized steel.
- Supplied with 27" long, heavy ga. galvanized steel bar hangers.
- Fluorescent ballasts shall be integrally mounted, electronic sound rated "A", Class P, multi-volt 120v - 277v.
- Electronic transformer 120v is standard for MR16 lamp.
- Manufactured and tested to UL standard No. 1598

Max Ceiling Thickness: 0.9 (22.9 mm)
Ceiling Cutout: 12.9² (326.9 mm)²
Fixture Weight: 17.0 lbs



SERIES	CFL LAMPS	BALLAST	ACCENT SQUARE	DIFFUSER	ACCENT TRIM
SG12HSQ- Spectrum Gold 12" Horizontal Square/ with MR16 accent light	4 x 42	EX -Electronic, multi-volt 120v thru 277v DA1 -Advance Mark 10™ powerline dimming, 120v ¹ DA2 -Advance Mark 10™ powerline dimming, 277v ¹	MR16 MR16LED	E1 -Electronic, Transformer 120v E2 -Electronic, Transformer 277v LEDE1 -LED Electronic, Transformer 120v LEDE2 -LED Electronic, Transformer 277v	AR12FG -12" SQ Frosted Glass 3SQGW -3" Sq Aperture Trim for MR16 Lamp Gloss White
SG12HSQ	442	EX	MR16 E1	AR12FG	3SQGW

Dimensions shown are nominal. Spectrum Lighting is continually improving products and reserves the right to make changes that will not alter performance or appearance with or without written notice.



PROJECT:	TYPE:
CAT. NO.:	

