



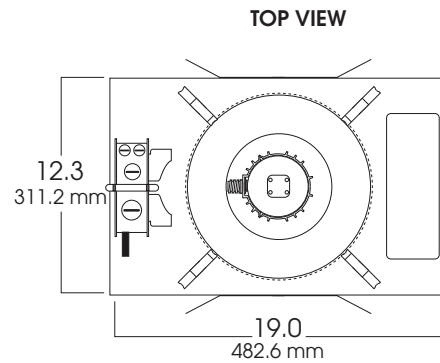
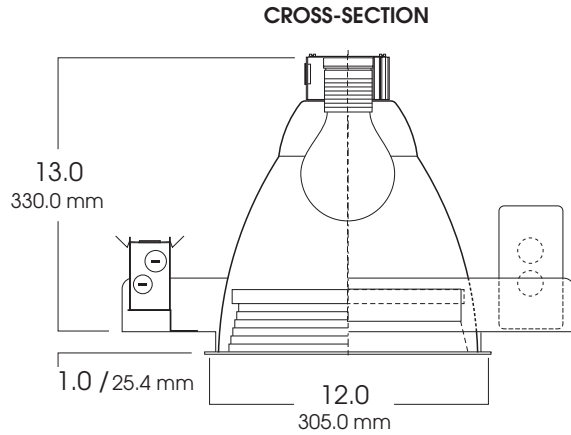
# 12" INDUCTION SERIES LENSED SPLOY 165 WATT MAX

**12DU**  
**SPECTRUM**  
**GOLD SERIES™**

## FEATURES & SPECIFICATIONS:

- Precise optical reflector for superior light output.
- Induction system technology- 100,000 hrs. rated life.
- Clear tempered safety glass lens optional.
- Intended for Non-IC new construction.
- Frame constructed of 18 ga. galvanized steel.
- Supplied with 27" long, heavy ga. galvanized steel bar hangers.
- High frequency generator, -9% THD.
- Manufactured and tested to UL standard No. 1598. ETL Listed.
- For options details, see page numbers listed below.

Max Ceiling Thickness: 1.0 (25.4 mm)  
Ceiling Cutout: 10.3 Ø (260.4 mm)  
Fixture Weight: 9.0 lbs



SERIES	WATTS	KELVIN°	GENERATOR	OPTIONS	SPLOY	TRIM OPTIONS
<b>SG12DU-</b> Spectrum Gold 12" Vertical Induction System Lensed Downlight	<b>55</b> <b>85</b> <b>165</b>	<b>3K</b> -3000° Kelvin <b>4K</b> -4000° Kelvin	<b>G1</b> -QL Generator 120v <b>G2</b> -QL Generator 277v	<b>CB24</b> -C-Channel bars 1-470 <b>CCEA</b> -Chicago Ceiling Plenum CCEA 1-480 <b>CR</b> -Corrosion Resistant 1-460 <b>FS</b> -Fuse holder and fuse <b>PR</b> -Plaster Ring 1-430 <b>RM</b> -Remodeler Housing 1-450 <b>TBC</b> -T-bar clips 1-475	<b>AR1226-WS</b> -White w/White flange (standard) <b>CS</b> -Clear Alzak w/white flange <b>CSPF</b> -Clear Alzak w/polished flange <b>SGS</b> -Semi-Diffuse Low-Iridescence w/white flange <b>SGSPF</b> -Semi-Diffuse Low- Iridescence w/polished flange <b>RB</b> -Regressed black baffled w/white flange <b>RBBF</b> -Regressed black baffled w/black flange <b>RW</b> -Regressed white baffled w/white flange <b>CC</b> -Custom Color	<b>GL</b> -Clear Glass lens <b>PG</b> -Prismatic (T73) lens (standard) <b>FL</b> -Fresnel Lens <b>FG</b> -Frosted Glass <b>XB<sup>1</sup></b> -Cross Blade Louver <b>GS</b> -Gasket <b>WL</b> -Wet Location 1-470
<b>SG12DU</b>	<b>55</b>	<b>3K</b>	<b>G1</b>	<b>CB24</b>	<b>AR1226 WS</b>	<b>PG</b>

<sup>1</sup> For **WS, CS, CSPF, SGS**  
and **SGSPF** trims only

Dimensions shown are nominal. Spectrum Lighting is continually improving products and reserves the right to make changes that will not alter performance or appearance with or without written notice.



<b>PROJECT:</b>	<b>TYPE:</b>
<b>CAT. NO.:</b>	

