

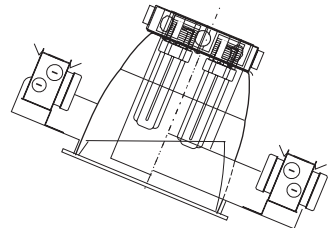
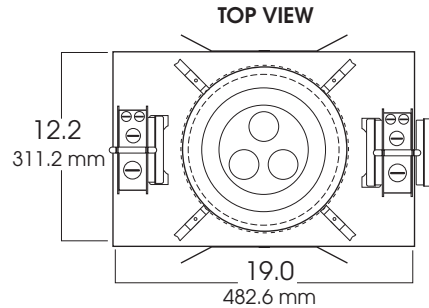
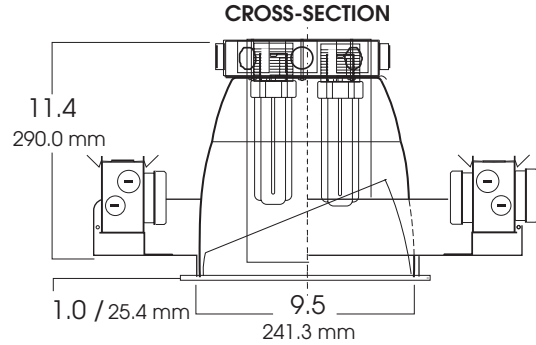
# 10" VERTICAL FLUORESCENT 357 MAGNUM / SLOPE CEILING 3 x 57 WATT MAX

**10V**  
**SPECTRUM**  
**GOLD SERIES™**

### FEATURES & SPECIFICATIONS:

- SG10V with three vertical compact fluorescent lamps, up to 57 watts.
- Twist Lok sockets allow easy replacement. Order SPECTRUM "Light Saber" to change lamps from floor level.
- Intended for Non-IC new construction.
- Frame constructed of 18 ga. galvanized steel.
- Supplied with 27" long, heavy ga. galvanized steel bar hangers.
- Fluorescent ballasts shall be integrally mounted, electronic sound rated "A", Class P, multi-volt 120v - 277v.
- UL Listed for Damp Locations.
- For options detail, see page numbers listed below.

Max Ceiling Thickness: 1.0 (25.4 mm)  
Ceiling Cutout: 10.2 Ø (259.0 mm Ø)  
Fixture Weight: 8.8 lbs



**LAMP CUP**  
UP TO 57W PLT FITS STANDARD EXTENSION POLES

\*Specify lamp manufacturer when ordering  
**LS70-OS**-"Lamp Saber" for Osram/Sylvania Lamps  
**LS70-GE**-"Lamp Saber" for General Electric Lamps  
**LS70-PH**-"Lamp Saber" for Philips Lamps

PATENT PENDING

SERIES	LAMP/WATTS	BALLAST	OPTIONS	TRIM / FINISH	TRIM OPTIONS
<b>SG10V-</b> Spectrum Gold 10" Vertical 3 lamp fixture	<b>2 or 3 26(TST)</b> <b>2 or 3 32(TST)</b> <b>2 or 3 42(TST)</b> <b>2 or 3 57(TST)</b>	<b>EX</b> -Electronic, multi-volt 120v thru 277v <b>DA1</b> -Advance Mark 10™ powerline dimming, 120v <b>DA2</b> -Advance Mark 10™ powerline dimming, 277v <b>DAM7</b> -Advance Mark 7™ 0-10v dimming, 120v thru 277v <b>DL1</b> -Lutron Compact SE™ 120v (min. dimming level 5%) <sup>1</sup> <b>DL2</b> -Lutron Compact SE™ 277v (min. dimming level 5%) <sup>1</sup>	<b>CB24</b> -C-Channel bars 1-470 <b>CCEA</b> -Chicago Ceiling Plenum CCEA 1-480 <b>CR</b> -Corrosion Resistant 1-460 <b>EM</b> -Emergency battery pack 1-420 <b>FS</b> -Fuse holder and fuse <b>PR</b> -Plaster Ring 1-430 <b>RM</b> -Remodeler Housing 1-450 <b>TBC</b> -T-bar clips 1-475 <b>TST</b> -Twist-Lok Socket 1-425 <b>LS70*</b> -Lamp Saber see ordering above *Specify lamp manufacturer	<b>AR9835-SG</b> -Semi-Diffuse Low Iridescent (standard) <b>CL</b> -Clear Bright Alzak <b>GO</b> -Gold Alzak <b>HZ</b> -Matte Low Iridescent <b>PW</b> -Pewter Alzak <b>UM</b> -Umber Alzak <b>WE</b> -Wheat Alzak <b>BL</b> -Black Finish <b>WH</b> -White Finish <b>PF</b> -Polished Flange	<b>GS</b> -Gasket <b>BB</b> -Black Micro Baffle <b>WB</b> -White Micro Baffle <b>SC12</b> -12° Bias cut trim <b>SC18</b> -18° Bias cut trim <b>SC22</b> -22° Bias cut trim
<b>SG10V</b>	<b>357</b>	<b>EX</b>	<b>TST</b>	<b>AR9835 SG</b>	<b>SC22</b>

<sup>1</sup> Not available for 57w lamp

Note: White flange is standard.

Dimensions shown are nominal. Spectrum Lighting is continually improving products and reserves the right to make changes that will not alter performance or appearance with or without written notice.



**PROJECT:** \_\_\_\_\_ **TYPE:** \_\_\_\_\_  
**CAT. NO.:** \_\_\_\_\_

