



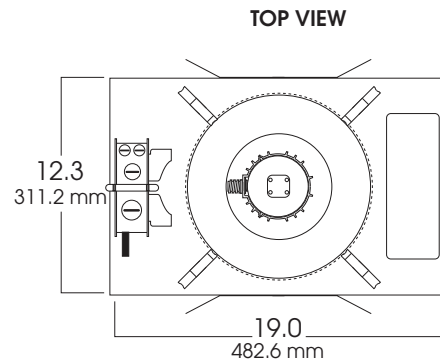
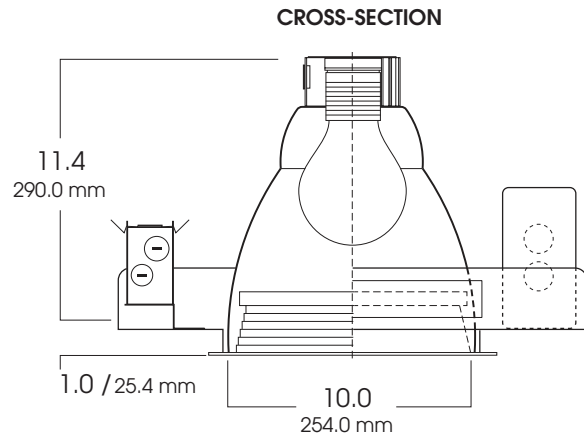
**10" QL SERIES
LENSED SPLAY
85 WATT MAX**



FEATURES & SPECIFICATIONS:

- Precise optical reflector for superior light output.
- QL system technology- 100,000 hrs. rated life.
- Clear tempered safety glass lens optional.
- Intended for Non-IC new construction.
- Frame constructed of 18 ga. galvanized steel.
- Supplied with 27" long, heavy ga. galvanized steel bar hangers.
- High frequency generator, -9% THD.
- Manufactured and tested to UL standard No. 1598. ETL Listed.
- For options details, see page numbers listed below.

Max Ceiling Thickness: 1.0 (25.4 mm)
 Ceiling Cutout: 10.3 Ø (260.4 mm)
 Fixture Weight: 9.0 lbs (MH)



SERIES	WATTS	KELVIN°	GENERATOR	OPTIONS	SPLAY	TRIM OPTIONS
SG10QL- Spectrum Gold 10" Vertical QL System Lensed Downlight	55 85	3K -3000° Kelvin 4K -4000° Kelvin	G1 -QL Generator 120v G2 -QL Generator 277v	CB24 -C-Channel bars 1-470 CCEA -Chicago Ceiling Plenum CCEA 1-480 CR -Corrosion Resistant 1-460 FS -Fuse holder and fuse PR -Plaster Ring 1-430 RM -Remodeler Housing 1-450 TBC -T-bar clips 1-475	AR1026-WS -White w/White flange (standard) CS -Clear Alzak w/white flange CSPF -Clear Alzak w/polished flange SGS -Semi-Diffuse Low-Iridescent w/white flange SGSPF -Semi-Diffuse Low- Iridescent w/polished flange RB -Regressed black baffled w/white flange RBBF -Regressed black baffled w/black flange RW -Regressed white baffled w/white flange CC -Custom Color	GL -Clear Glass lens PG -Prismatic (T73) lens (standard) FL -Fresnel Lens FG -Frosted Glass XB¹ -Cross Blade Louver GS -Gasket WL -Wet Location 1-470
SG10QL	55	3K	G1	CB24	AR1026 WS	PG

¹ For WS, CS, CSPF, SGS and SGSPF trims only

Dimensions shown are nominal. Spectrum Lighting is continually improving products and reserves the right to make changes that will not alter performance or appearance with or without written notice.



PROJECT:	TYPE:
CAT. NO.:	

