



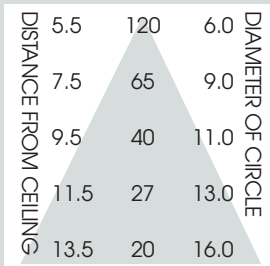
10" HID-MH / HPS SERIES LENSED SPALY 175 WATT MAX

10MH
SPECTRUM
GOLD SERIES™

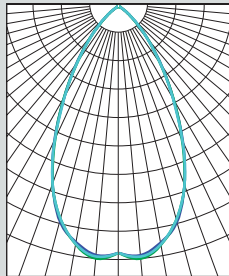
FEATURES & SPECIFICATIONS:

- 10MH series features a deep reflector with a wide variety of lenses and splays.
- Intended for Non-IC new construction.
- Frame constructed of 18 ga. galvanized steel.
- Supplied with 27" long, heavy ga. galvanized steel bar hangers.
- Ballasts shall be integrally mounted, electronic sound rated "A", multi-volt 120v or 277v.
- UL Listed for Damp Locations.
- For options detail, see page numbers listed below.

Max Ceiling Thickness: 1.0 (25.4 mm)
Ceiling Cutout: 10.3 Ø (260.4 mm Ø)
Fixture Weight: 9.0 lbs (MH)

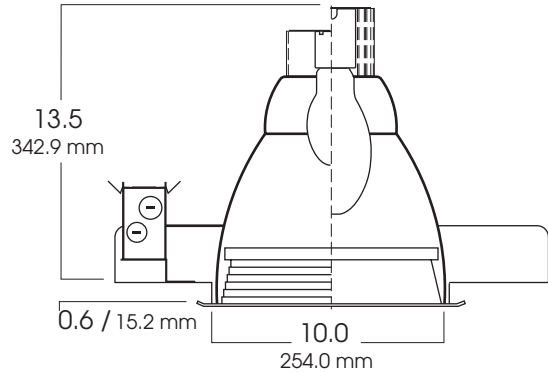


CONE OF LIGHT

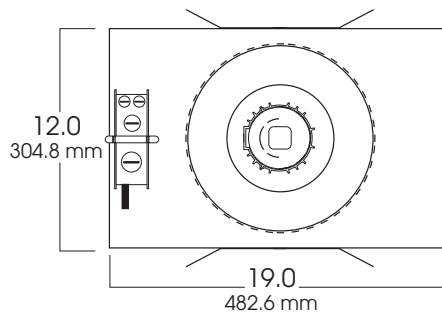


10MH100w-Efficiency: 46.3%
Spacing 0.89

CROSS-SECTION



TOP VIEW



FIXTURE LAMPING

BD17 (HPS) - 50W thru 150W
ED17 (MH) - 50W thru 175W
ED28 (MH) - 175W

SERIES	WATTS	BALLAST	LAMP	OPTIONS	SPALY	TRIM OPTIONS
SG10MH* Spectrum Gold 10" Vertical	50 70 100 150¹ 175²	EX¹ -Electronic, multi-volt 120v or 277v E1¹ -Electronic 120v (150w MH only) E2¹ -Electronic 277v (150w MH only) H1 -F-Can ballast, 120v H2 -F-Can ballast, 277v PS -Pulse Start	BD17 ED17¹ ED28²	CB24 -C-Channel bars 1-470 CCEA -Chicago Ceiling Plenum CCEA 1-480 CR -Corrosion Resistant 1-460 FS -Fuse holder and fuse PR -Plaster Ring 1-430 RM -Remodeler Housing 1-450 TBC -T-bar clips 1-475 TP -Tamper Resistant QRS120 -Quartz Restrike-120v QRS277 -Quartz Restrike-277v	AR1020-WS -White w/White flange (standard) CS -Clear Alzak w/white flange CSPF -Clear Alzak w/ polished flange SGS -Semi-Diffuse Low-Iridescence w/white flange SGSPF -Semi-Diffuse Low-Iridescence w/ polished flange RB -Regressed black baffled w/white flange RBBF -Regressed black baffled w/black flange RW -Regressed white baffled w/white flange CC -Custom Color	GL -Clear Glass lens PG -Prismatic (T73) lens (standard) FL -Fresnel Lens FG -Frosted Glass XB¹ -Cross Blade Louver GS -Gasket WL -Wet Location 1-470
SG10MH	100	H1	ED17	CB24	AR1020 WS	PG

* For High Pressure Sodium use **HS**
¹ Must specify voltage
² F-Can only

¹ Metal Halide only

¹ Medium base
² Mogul base

¹ For **WS, CS, CSPF, SGS** and **SGSPF** trims only

Dimensions shown are nominal. Spectrum Lighting is continually improving products and reserves the right to make changes that will not alter performance or appearance with or without written notice.



PROJECT: _____ **TYPE:** _____
CAT. NO.: _____

