



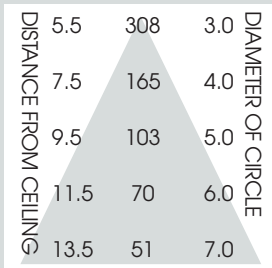
# 10" INCANDESCENT SERIES LENSED SPLAY 200 WATT MAX

**10IN  
SPECTRUM  
GOLD SERIES™**

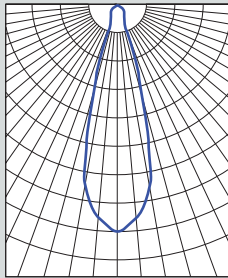
## FEATURES & SPECIFICATIONS:

- Series features a deep reflector and a wide variety of lenses and splays.
- Intended for Non-IC new construction.
- Frame constructed of 20 ga. galvanized steel.
- Supplied with 27" long, heavy ga. galvanized steel bar hangers.
- **120 Volt** is standard. Use option **T277** for 277v supply feed.
- UL Listed for Damp Locations.
- For options detail, see page numbers listed below.

Max Ceiling Thickness: 1.0 (25.4 mm)  
Ceiling Cutout: 10.3 Ø (261.6 mm Ø)  
Fixture Weight: 9.0 lbs

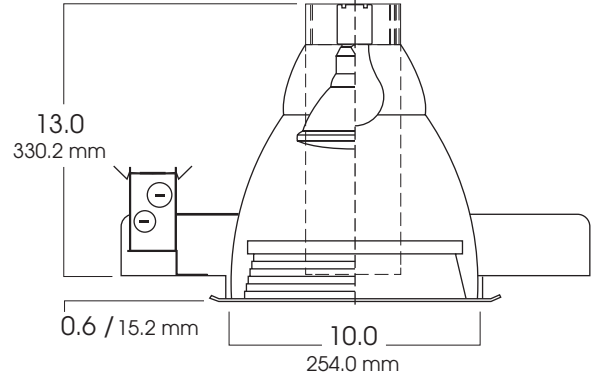


CONE OF LIGHT

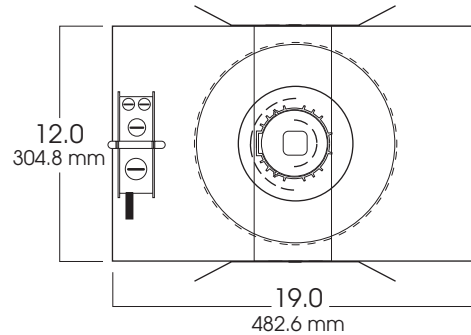


10IN150w-Efficiency: 94.2%  
Spacing: 0.50

CROSS-SECTION



TOP VIEW



SERIES	OPTIONS	SPLAY	TRIM OPTIONS	FIXTURE LAMPING*										
<b>SG10IN-</b> Spectrum Gold 10" Vertical	<b>CB24</b> -C-Channel bars 1-470 <b>CCEA</b> -Chicago Ceiling Plenum CCEA 1-480 <b>CR</b> -Corrosion Resistant 1-460 <b>FS</b> -Fuse holder and fuse <b>PR</b> -Plaster Ring 1-430 <b>RM</b> -Remodeler Housing 1-450 <b>TBC</b> -T-bar clips 1-475 <b>TP</b> -Tamper Resistant <b>T277</b> -Step down Transformer 277v to 120v	<b>AR1020-WS</b> -White w/White flange (standard) <b>CS</b> -Clear Alzak w/white flange <b>CSPF</b> -Clear Alzak w/polished flange <b>SGS</b> -Semi-Diffuse Low-Iridescent w/white flange <b>SGSPF</b> -Semi-Diffuse Low-Iridescent w/polished flange <b>RB</b> -Regressed black baffled w/ white flange <b>RBBF</b> -Regressed black baffled w/ black flange <b>RW</b> -Regressed white baffled w/ white flange <b>CC</b> -Custom Color	<b>PG</b> -Prismatic (T73) lens (standard) <b>FG</b> -Frosted Glass <b>FL</b> -Fresnel Lens <b>GL</b> -Clear Glass lens <b>GS</b> -Gasket <b>WL</b> -Wet Location (See Page 1-470) <b>XB<sup>1</sup></b> -Cross Blade Louver	<table border="1"> <thead> <tr> <th>LAMP</th> <th>MAX. WATTAGE</th> </tr> </thead> <tbody> <tr> <td>A 21</td> <td>200w</td> </tr> <tr> <td>PS 25</td> <td>200w</td> </tr> <tr> <td>PAR 38</td> <td>150w</td> </tr> <tr> <td>R 40<sup>1</sup></td> <td>200w</td> </tr> </tbody> </table> <p>*Medium Base NOTE: This lamping is for NON-IC only.</p>	LAMP	MAX. WATTAGE	A 21	200w	PS 25	200w	PAR 38	150w	R 40 <sup>1</sup>	200w
LAMP	MAX. WATTAGE													
A 21	200w													
PS 25	200w													
PAR 38	150w													
R 40 <sup>1</sup>	200w													
<b>SG10IN</b>	<b>CB24</b>	<b>AR1020 WS</b>	<b>PG</b>											

Dimensions shown are nominal. Spectrum Lighting is continually improving products and reserves the right to make changes that will not alter performance or appearance with or without written notice.



PROJECT:	TYPE:
CAT. NO.:	

