



# 10" INCANDESCENT SERIES OPEN REFLECTOR / BAFFLE

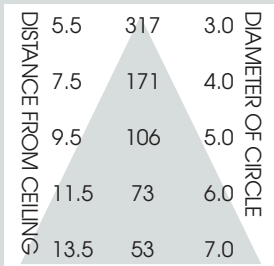
300 WATT MAX



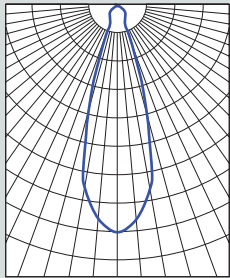
### FEATURES & SPECIFICATIONS:

- Series features a deep reflector and excellent cutoff.
- Intended for Non-IC new construction.
- Frame constructed of 18 ga. galvanized steel.
- Supplied with 27" long, heavy ga. galvanized steel bar hangers.
- **120 Volt** is standard. Use option **T277** for 277v supply feed.
- UL Listed for Damp Locations.
- For options detail, see page numbers listed below.

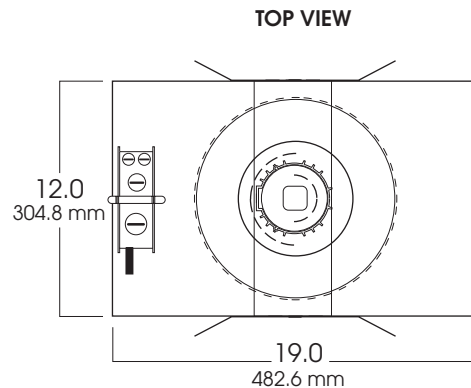
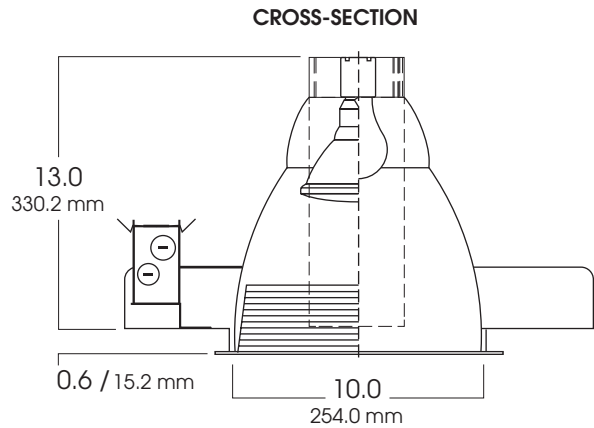
Max Ceiling Thickness: 1.0 (25.4 mm)  
 Ceiling Cutout: 10.3 Ø (261.6 mm Ø)  
 Fixture Weight: 9.0 lbs



CONE OF LIGHT



10IN250w - Efficiency: 97.2%  
Spacing: 0.50



SERIES	OPTIONS	TRIM / FINISH	TRIM OPTIONS	FIXTURE LAMPING										
<b>SG10IN-</b> Spectrum Gold 10" Vertical	<b>CB24</b> -C-Channel bars 1-470 <b>CCEA</b> -Chicago Ceiling Plenum CCEA 1-480 <b>CR</b> -Corrosion Resistant 1-460 <b>FS</b> -Fuse holder and fuse <b>MG<sup>1</sup></b> -Mogul Base <b>PR</b> -Plaster Ring 1-430 <b>RM</b> -Remodeler Housing 1-450 <b>TBC</b> -T-bar clips 1-475 <b>T277</b> -Step down Transformer 277v to 120v	<b>AR1010-SG</b> -Semi-Diffuse Low Iridescent (standard) <b>CL</b> -Clear Bright Alzak <b>GO</b> -Gold Alzak <b>HZ</b> -Matte Low Iridescent <b>PW</b> -Pewter Alzak <b>UM</b> -Umber Alzak <b>WE</b> -Wheat Alzak <b>BL</b> -Black Finish <b>WH</b> -White Finish <b>PF</b> -Polished Flange	<b>GS</b> -Gasket <b>BB</b> -Black Micro Baffle <b>WB</b> -White Micro Baffle	<table border="1"> <thead> <tr> <th>LAMP</th> <th>MAX. WATTAGE</th> </tr> </thead> <tbody> <tr> <td>A 21</td> <td>200w</td> </tr> <tr> <td>PS 25</td> <td>300w</td> </tr> <tr> <td>PAR 38</td> <td>250w</td> </tr> <tr> <td>R 40<sup>1</sup></td> <td>300w</td> </tr> </tbody> </table> <p>All lamps are medium base (standard)  <sup>1</sup> Specify <b>MG</b> for Mogul Base  <b>NOTE:</b> This lamping is for <b>NON-IC</b> only.</p>	LAMP	MAX. WATTAGE	A 21	200w	PS 25	300w	PAR 38	250w	R 40 <sup>1</sup>	300w
	LAMP	MAX. WATTAGE												
A 21	200w													
PS 25	300w													
PAR 38	250w													
R 40 <sup>1</sup>	300w													
<b>SG10IN</b>	<b>CB24</b> <sup>1</sup> For R40 300w only	<b>AR1010 SG</b> Note: White flange is standard.	<b>GS</b>	<p>*For Available <b>Decorative Architectural Trims</b>, see page 1-490</p>										

Dimensions shown are nominal. Spectrum Lighting is continually improving products and reserves the right to make changes that will not alter performance or appearance with or without written notice.



PROJECT:	TYPE:
CAT. NO.:	

