



# 10" HORIZONTAL FLUORESCENT LENSED SPLAY

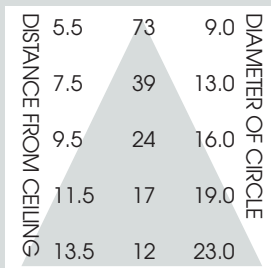
3 x 42 WATT / 2 x 57 WATT MAX

**10H**  
**SPECTRUM**  
**GOLD SERIES™**

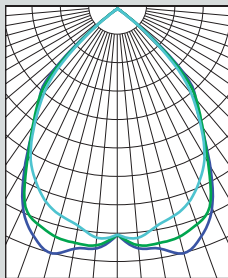
## FEATURES & SPECIFICATIONS:

- SG10H is a deep reflector for high wattage CF lamps. A wide variety of lenses are offered.
- Intended for Non-IC new construction.
- Frame constructed of 18 ga. galvanized steel.
- Supplied with 27" long, heavy ga. galvanized steel bar hangers.
- Ballasts shall be integrally mounted, electronic sound rated "A", Class P, multi-volt 120v - 277v.
- UL Listed for Damp Locations.
- For options detail, see page numbers listed below.

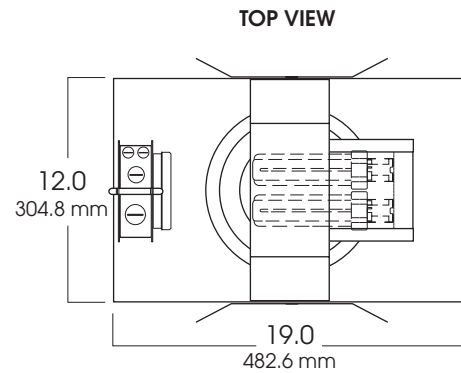
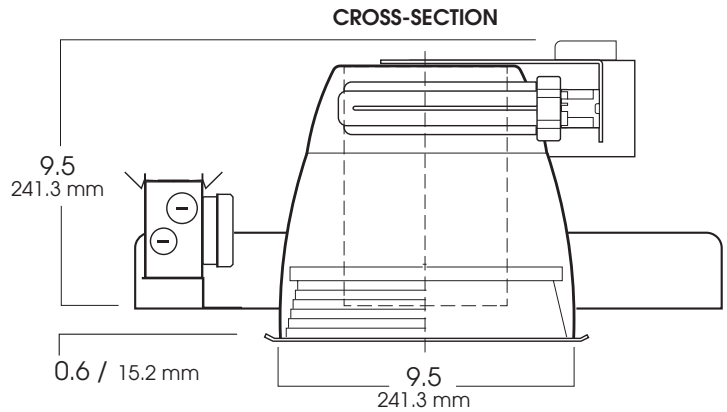
Max Ceiling Thickness: 1.5 (38.1 mm)  
Ceiling Cutout: 10.0 Ø (254.0 mm Ø)  
Fixture Weight: 8.8 lbs



CONE OF LIGHT



10H257w - Efficiency: 41.0%  
Spacing: 1.20



SERIES	WATTS	BALLAST	OPTIONS	REFLECTOR	SPLAY	TRIM OPTIONS
<b>SG10H-</b> Spectrum Gold 10" Horizontal	<b>(1, 2 or 3) 18</b> <b>(1, 2 or 3) 26</b> <b>(1, 2 or 3) 32</b> <b>(1, 2 or 3) 42</b> <b>(1 or 2) 57</b>	<b>EX</b> -Electronic, multi-volt 120v thru 277v <b>DA1</b> -Advance Mark 10™ powerline dimming, 120v <sup>1</sup> <b>DA2</b> -Advance Mark 10™ powerline dimming, 277v <sup>1</sup> <b>DAM7</b> -Advance Mark 7™ 0-10v dimming, 120v thru 277v <b>DL1</b> -Lutron Compact SE™ 120v (min. dimming level 5%) <sup>1</sup> <b>DL2</b> -Lutron Compact SE™ 277v (min. dimming level 5%) <sup>1</sup>	<b>CB24</b> -C-Channel bars 1-470 <b>CCEA</b> -Chicago Ceiling Plenum CCEA 1-480 <b>CR</b> -Corrosion Resistant 1-460 <b>EM</b> -Emergency battery pack 1-420 <b>FS</b> -Fuse holder and fuse <b>PR</b> -Plaster Ring 1-430 <b>RM</b> -Remodeler Housing 1-450 <b>TBC</b> -T-bar clips 1-475 <b>TP</b> -Tamper Resistant <b>TST</b> -Twist-Lok Socket 1-425	<b>AR9520-</b> <b>(1 &amp; 2 lamp)</b> 18-42 watts  <b>AR9527-</b> <b>(2 lamp)</b> 57/70 watts  <b>AR9620-</b> <b>(3 lamps)</b> All Wattages	<b>WS</b> - White w/White flange (standard) <b>CL</b> -Clear Bright Alzak  <b>CSPF</b> -Clear Alzak w/polished flange <b>SGS</b> -Semi-Diffuse Low- Iridescent w/white flange <b>SGSPF</b> -Semi-Diffuse Low- Iridescent w/polished flange <b>RB</b> -Regressed black baffled w/white flange <b>RBBF</b> -Regressed black baffled w/black flange <b>RW</b> -Regressed white baffled w/white flange <b>CC</b> -Custom Color	<b>PG</b> -Prismatic (T73) lens (standard) <b>FG</b> -Frosted Glass <b>FL</b> -Fresnel Lens <b>GL</b> -Clear Glass <b>GS</b> -Gasket <b>PC</b> -Clear Polycarbonate <b>PP</b> -Prismatic Polycarbonate <b>WL</b> -Wet Location 1-470 <b>XB<sup>1</sup></b> -Cross Blade Louver
<b>SG10H</b>	<b>257</b>	<b>EX</b>	<b>EM/</b>	<b>AR9520 WS</b>	<b>PG</b>	<sup>1</sup> For <b>WS, CS, CSPF, SGS</b> and <b>SGSPF</b> trims only

Dimensions shown are nominal. Spectrum Lighting is continually improving products and reserves the right to make changes that will not alter performance or appearance with or without written notice.



PROJECT:

TYPE:

CAT. NO.:

