



# 10" HORIZONTAL FLUORESCENT OPEN REFLECTOR /BAFFLE

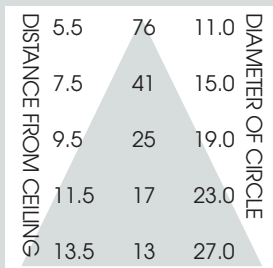
3 x 42 / 2 x 70 WATT MAX

**10H**  
**SPECTRUM**  
**GOLD SERIES™**

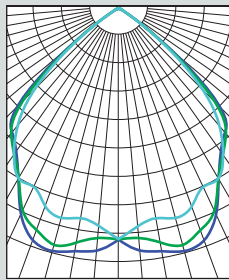
## FEATURES & SPECIFICATIONS:

- SG10H series is a 9.5" aperture deep reflector for excellent cutoff and up to 3 x 42 CF lamps.
- Intended for Non-IC new construction.
- Frame constructed of 18 ga. galvanized steel.
- Supplied with 27" long, heavy ga. galvanized steel bar hangers.
- Ballasts shall be integrally mounted, electronic sound rated "A", Class P, multi-volt 120v - 277v.
- UL Listed for Damp Locations.
- For options detail, see page numbers listed below.

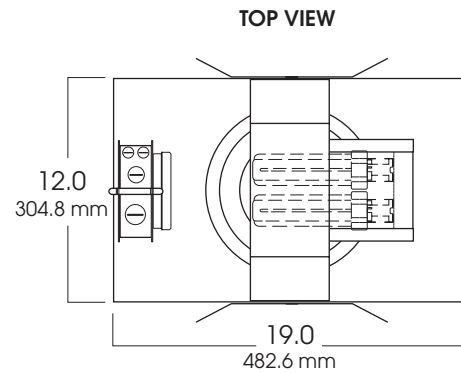
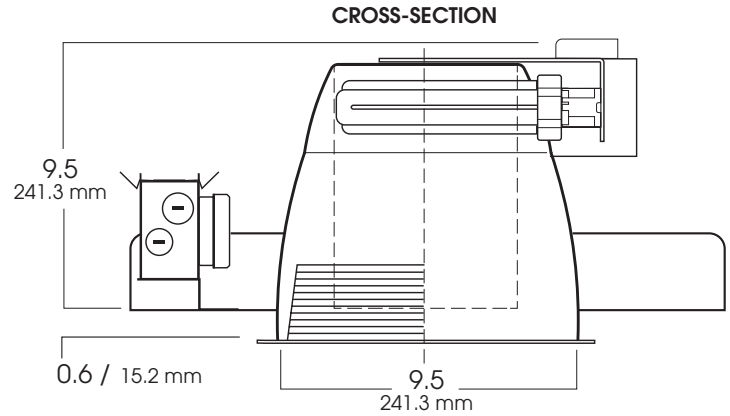
Max Ceiling Thickness: 1.5 (38.1 mm)  
Ceiling Cutout: 10.0 Ø (254.0 mm Ø)  
Fixture Weight: 8.8 lbs



CONE OF LIGHT



10H257w - Efficiency: 51.6%  
Spacing: 1.26



SERIES	WATTS	BALLAST	OPTIONS	REFLECTOR TRIM / FINISH	TRIM OPTIONS	
<b>SG10H-</b> Spectrum Gold 10" Horizontal	<b>(1, 2 or 3) 18</b> <b>(1, 2 or 3) 26</b> <b>(1, 2 or 3) 32</b> <b>(1, 2 or 3) 42</b> <b>(1 or 2) 57</b> <b>(1 or 2) 70</b>	<b>EX</b> -Electronic, multi-volt 120v thru 277v <b>DA1</b> -Advance Mark 10™ powerline dimming, 120v <b>DA2</b> -Advance Mark 10™ powerline dimming, 277v <b>DAM7</b> -Advance Mark 7™ 0-10v dimming, 120v thru 277v <b>DL1</b> -Lutron Compact SE™ 120v (min. dimming level 5%) <sup>1</sup> <b>DL2</b> -Lutron Compact SE™ 277v (min. dimming level 5%) <sup>1</sup>	<b>CB24</b> -C-Channel bars 1-470 <b>CCEA</b> -Chicago Ceiling Plenum CCEA 1-480 <b>CR</b> -Corrosion Resistant 1-460 <b>EM</b> -Emergency battery pack 1-420 <b>FS</b> -Fuse holder and fuse <b>PR</b> -Plaster Ring 1-430 <b>RM</b> -Remodeler Housing 1-450 <b>TBC</b> -T-bar clips 1-475 <b>TST</b> -Twist-Lok Socket 1-425	<b>AR9510-</b> <b>(1 &amp; 2 lamp)</b> 18-42 watts <b>AR9517-</b> <b>(2 lamp)</b> 57/70 watts <b>AR9610-</b> <b>(3 lamps)</b> All Wattages	<b>SG</b> -Semi-Diffuse Low Iridescent (standard) <b>CL</b> -Clear Bright Alzak <b>GO</b> -Gold Alzak <b>HZ</b> -Matte Low Iridescent <b>PW</b> -Pewter Alzak <b>UM</b> -Umbur Alzak <b>WE</b> -Wheat Alzak <b>BL</b> -Black Finish <b>WH</b> -White Finish <b>PF</b> -Polished Flange	<b>GS</b> -Gasket <b>BB</b> -Black Micro Baffle <b>WB</b> -White Micro Baffle
<b>SG10H</b>	<b>270</b>	<b>EX</b>	<b>EM/</b>	<b>AR9510 SG</b>	<b>GS</b>	

<sup>1</sup> Not available for 57w or 70w lamp

<sup>1</sup> Not available for 70w lamp

Note: White flange is standard.

\*For Available  
Decorative  
Architectural Trims,  
see page 1-490

Dimensions shown are nominal. Spectrum Lighting is continually improving products and reserves the right to make changes that will not alter performance or appearance with or without written notice.



<b>PROJECT:</b>	<b>TYPE:</b>
<b>CAT. NO.:</b>	

