



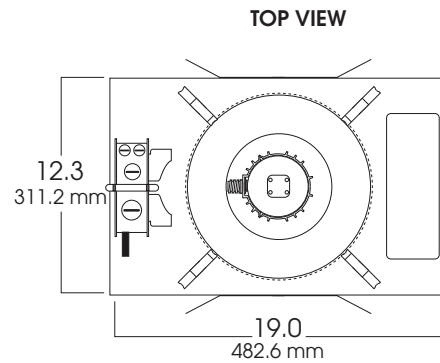
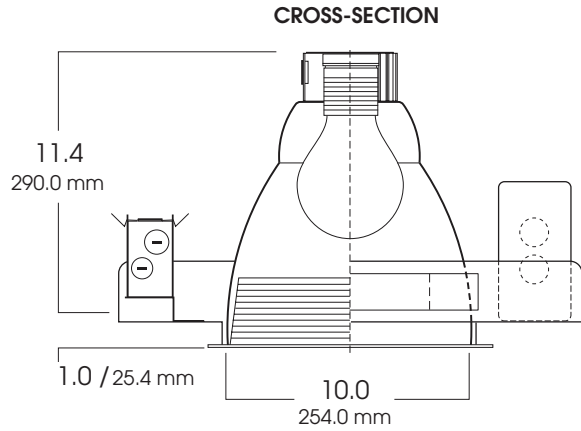
# 10" INDUCTION SERIES OPEN REFLECTOR /BAFFLE 85 WATT MAX

**10DU**  
**SPECTRUM**  
**GOLD SERIES™**

## FEATURES & SPECIFICATIONS:

- Precise optical reflector for superior light output.
- Induction system technology- 100,000 hrs. rated life.
- Clear tempered safety glass lens optional.
- Intended for Non-IC new construction.
- Frame constructed of 18 ga. galvanized steel.
- Supplied with 27" long, heavy ga. galvanized steel bar hangers.
- High frequency generator, -9% THD.
- Manufactured and tested to UL standard No. 1598. ETL Listed.
- For options details, see page numbers listed below.

Max Ceiling Thickness: 1.0 (25.4 mm)  
Ceiling Cutout: 10.3 Ø (260.4 mm)  
Fixture Weight: 9.0 lbs



SERIES	WATTS	KELVIN°	GENERATOR	OPTIONS	TRIM / FINISH	TRIM OPTIONS
<b>SG10DU-</b> Spectrum Gold 10" Vertical Induction System Downlight	<b>55</b> <b>85</b>	<b>3K</b> -3000° Kelvin <b>4K</b> -4000° Kelvin	<b>G1</b> -QL Generator 120v <b>G2</b> -QL Generator 277v	<b>CB24</b> -C-Channel bars 1-470 <b>CCEA</b> -Chicago Ceiling Plenum CCEA 1-480 <b>CR</b> -Corrosion Resistant 1-460 <b>FS</b> -Fuse holder and fuse <b>PR</b> -Plaster Ring 1-430 <b>RM</b> -Remodeler Housing 1-450 <b>TBC</b> -T-bar clips 1-475	<b>AR1016-SG</b> -Semi-Diffuse Low Iridescent (standard) <b>CL</b> -Clear Bright Alzak <b>GO</b> -Gold Alzak <b>HZ</b> -Matte Low Iridescent <b>PW</b> -Pewter Alzak <b>UM</b> -Umber Alzak <b>WE</b> -Wheat Alzak <b>BL</b> -Black Finish <b>WH</b> -White Finish <b>PF</b> -Polished Flange	<b>GS</b> -Gasket <b>BB</b> -White Micro Baffle <b>WB</b> -Black Micro Baffle
<b>SG10DU</b>	<b>55</b>	<b>3K</b>	<b>G1</b>	<b>CB24</b>	<b>AR1016 SG</b>	<b>GS</b>

Note: White flange is standard.

\*For available **Decorative Architectural Trims**, see Page 1-490

Dimensions shown are nominal. Spectrum Lighting is continually improving products and reserves the right to make changes that will not alter performance or appearance with or without written notice.



<b>PROJECT:</b>	<b>TYPE:</b>
<b>CAT. NO.:</b>	

