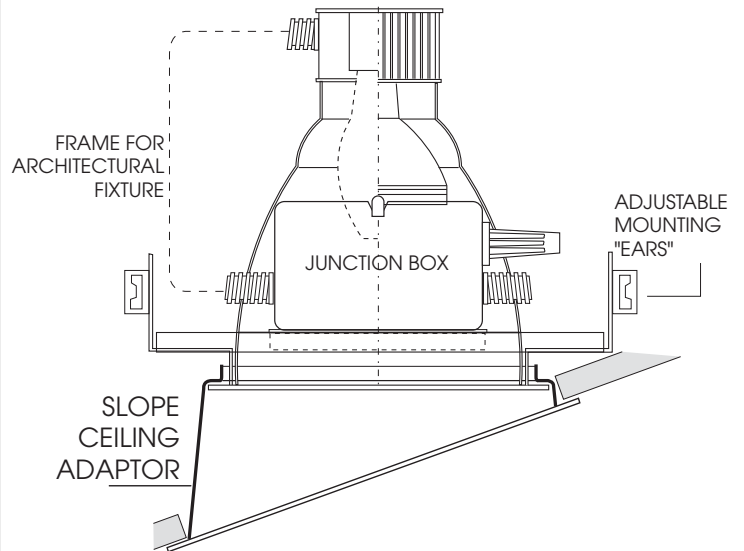


SLOPED CEILING ADAPTORS FLUORESCENT, INC, HID



- SPECTRUM LIGHTING slope ceiling adaptors are spun 1100-0 aluminum finished in matte white.
- Adaptors allow fixture optics to remain perpendicular to the floor.
- UL listed

Dimensions shown are nominal. Spectrum Lighting is continually improving products and reserves the right to make changes that will not alter performance or appearance.

DEGREE OF SLOPE	RATIO OF SLOPE
10-14 °	3:12
16-19 °	4:12
20-22 °	5:12
24-26 °	6:12
28-36 °	7:12
38-45 °	8:12

ORDERING INFORMATION

5" APERTURE		6" APERTURE		7" APERTURE		8" APERTURE	
SERIES NO.	DEGREE OF SLOPE	SERIES NO.	DEGREE OF SLOPE	SERIES NO.	DEGREE OF SLOPE	SERIES NO.	DEGREE OF SLOPE
SCA5-14	10-14 °	SCA6-14	10-14 °	SCA7-14	10-14 °	SCA8-14	10-14 °
SCA5-19	16-19 °	SCA6-19	16-19 °	SCA7-19	16-19 °	SCA8-19	16-19 °
SCA5-22	20-22 °	SCA6-22	20-22 °	SCA7-22	20-22 °	SCA8-22	20-22 °
SCA5-26	24-26 °	SCA6-26	24-26 °	SCA7-26	24-26 °	SCA8-26	24-26 °
				SCA7-36	28-36 °		
				SCA7-45	38-45 °		



994 Jefferson Street . Fall River, MA 02721 . 508.678.2303 FAX 508.678.2260

