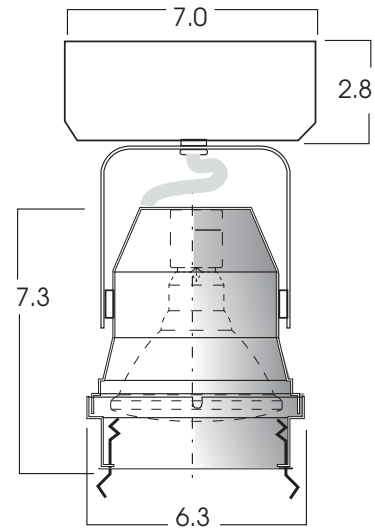


**SPEC TRAK SERIES**  
**PAR38 MH SURFACE MOUNT**  
 100 WATT MH MAXIMUM



**PRODUCT INFORMATION:**

- SAR Series surface mount track for PAR30/38 lamps.
- Accepts lenses and other accessories.
- Integral ballast housing and canopy.
- Fixture tilts and locks for precision aiming.
- Choose from 20 powder coat finishes.
- Manufactured and tested to UL Standard No. 1598



MODEL	WATTS	BALLAST	LAMPS	OPTIONS	FINISH	ACCESSORIES*
<b>SAR38MH-</b> Spec Trak PAR38 Lamp Metal Halide Series, Surface Mounted	<b>39</b> <b>70</b> <b>100</b>	<b>E1</b> -Electronic, 120v <b>E2</b> -Electronic, 277v	<b>PAR30</b> <b>PAR38</b>	<b>SW</b> -On/Off Switch <b>TL</b> -Top Rotation Lock <b>SM/CP13</b> -Surface Mount/Spun Aluminum Ballast Housing <b>PM*/CP13</b> -Pendant Mount/Spun Aluminum Ballast Housing *(specify length in 12" increments)	<b>MT</b> -Mini Textured Silver <b>MB</b> -Matte Black <b>MW</b> -Matte White <b>CC</b> -Custom Color  *See SPECTRUM color chart for a full list of colors  ( <b>MT/MB</b> -with black adaptor & cord <b>MW</b> -with white adaptor & cord)	<b>LN38</b> -Lens Holder (see lens page) <b>SN38</b> -Snoot <b>BD38</b> -Barn Doors <b>HL38</b> -Hex Louver  *Accessories finish will match fixture
<b>SAR38MH</b>	<b>70</b>	<b>E1</b>	<b>PAR38</b>	<b>SM/CP13</b>	<b>MT</b>	<b>BD38</b>

Dimensions shown are nominal. Spectrum Lighting is continually improving products and reserves the right to make changes that will not alter performance or appearance with or without written notice.



<b>PROJECT:</b>	<b>TYPE:</b>
<b>CAT. NO.:</b>	

