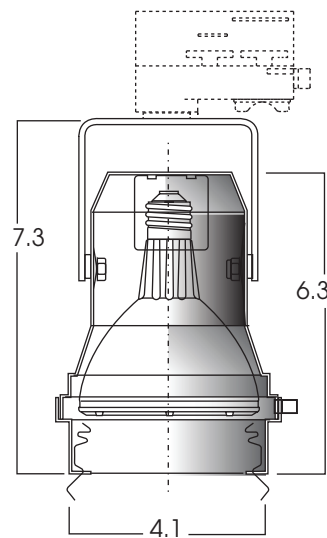


**SPEC TRAK SERIES
PAR30 INCANDESCENT**
75 WATT MAXIMUM



PRODUCT INFORMATION:

- Medium stage lighting track head for PAR30 lamps.
- Rotation lock available on TEK100 and GA100 adaptors.
- Accepts up to 3 accessories.
- Hinged door for easy re-lamping.
- Choose from 20 powder coat finishes.
- Manufactured and tested to UL standard No. 1598. ETL Listed.



MODEL	OPTIONS	ADAPTOR	FINISH	ACCESSORIES*
SAR30INC- For PAR 30L Lamps Long Neck	FS -Fuse holder and fuse WRL -Label with Max Wattage SW -Switch	GES66 -Works with GET Track TEK100 -Works with TEK Track GA100 -Works with XTS Track GES70 -Monopoint Canopy (with GES66 adaptor) PC1 -Pipe Clamp CP -6" Straight Cord/Plug CCP -6" Coil Cord/Plug	MT -Mini Textured Silver MW -Matte White MB -Matte Black CC -Custom Color *See SPECTRUM color chart for a full list of colors (MT/MB -with black adaptor & cord MW -with white adaptor & cord)	LN30 -Lens (see lens pages) SN30 -Snoot BD30 -Barn Doors HL30 -Hex Louver *Accessory finish will match fixture.
SAR30INC	FS	TEK100	MT	BD30

Dimensions shown are nominal. Spectrum Lighting is continually improving products and reserves the right to make changes that will not alter performance or appearance with or without written notice.



PROJECT:	TYPE:
CAT. NO.:	

