



# INFINIUM™ LED SERIES

## REMOTE PHOSPHOR DOWNLIGHT

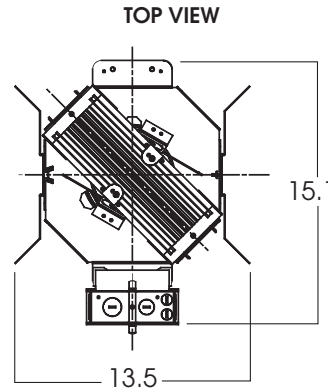
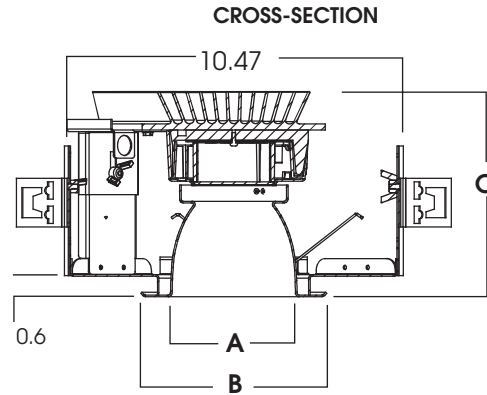
### 34 WATT MAX



#### FEATURES & SPECIFICATIONS:

- Round remote phosphor LED downlight series.
- All LED modules and drivers are replaceable and up-gradeable.
- 50,000 hours rated LED system life.
- Trim supports a variety of lens /accessory options.
- Intended for Non-IC new construction.
- Frame constructed of 20 ga. galvanized steel
- Supplied with 27" long, heavy ga. galvanized steel bar hangers.
- Dimming available. (see page 1-444).
- EM available. (see page 1-446).
- Manufactured and built to UL standard No 8750.

Max Ceiling Thickness:	1.5 (38.1 mm)
Ceiling Cutout:4"	4.6 ø (116.8 mm ø)
Ceiling Cutout:5"	5.6 ø (142.2 mm ø)
Ceiling Cutout:6"	6.6 ø (167.6 mm ø)
Fixture Weight:	4.7 lbs



	A	B	C
<b>SG4LEDFD</b>	3.8	5.7	6.3
<b>SG5LEDFD</b>	5.0	6.7	6.3
<b>SG6LEDFD</b>	6.0	7.7	6.3

SERIES	LED	KELVIN	VOLTAGE	OPTIONS	TRIM / FINISH	TRIM OPTIONS
<b>SGE4LEDFD-</b> Spectrum Infinium 4" LED Downlight	<b>19W</b> (1100 lumens)	<b>30K</b> -3000° K <b>35K</b> -3500° K <b>41K</b> -4100° K	<b>E1</b> -Electronic, 120V <b>E2</b> -Electronic, 277V	<b>BH6</b> -Expandable Bar Hangers, 6" - 12" <b>BH12</b> -Expandable Bar Hangers, 12" - 24" <b>CB24</b> -C-Channel bars (1-470) <b>FS</b> -Fusing <b>CCEA</b> -Chicago Ceiling Plenum CCEA (1-480) <b>CR</b> -Corrosion Resistant (1-460) <b>PR</b> -Plaster Ring (1-430) <b>TBC</b> -T-bar clips (1-475) <b>EMLED</b> -Emergency Back-up Battery (1-423) <b>GR</b> -Goof Ring (1-470)	<b>AR4240FD-</b> <b>MW</b> -Matte White (4") <b>SG</b> -Semi-Diffuse Low Iridescent <b>HZ</b> -Matte Low Iridescent <b>WE</b> -Wheat Alzak <b>AR5240FD-</b> <b>MB</b> -Matte Black (5") <b>CC</b> -Custom Color <b>PF</b> -Polished Flange <b>WF</b> -White Flange <b>AR6240FD-</b> (6")	<b>SO</b> -Micro Prism Solite™ lens <b>GL</b> -Clear Glass Lens <b>FG</b> -Frosted Glass Lens <b>GS</b> -Gasket <b>WL</b> -Wet Location
<b>SGE5LEDFD-</b> Spectrum Infinium 5" LED Downlight	<b>34W</b> (2000 lumens)		<b>PD1</b> -Dimming 0 to 10 120v <b>PD2</b> -Dimming 0 to 10 277v			
<b>SGE6LEDFD-</b> Spectrum Infinium 6" LED Downlight						
<b>SGE4LEDFD</b>	<b>19W</b>	<b>30K</b>	<b>E1</b>		<b>AR4240FD SG</b>	

Dimensions shown are nominal. Spectrum Lighting is continually improving products and reserves the right to make changes that will not alter performance or appearance with or without written notice.

<b>PROJECT:</b>	<b>TYPE:</b>
<b>CAT. NO.:</b>	



994 Jefferson Street, Fall River, MA 02721 508.678.2303 FAX 508.678.2260





# INFINIUM™ LED SERIES

## REMOTE PHOSPHOR WALL WASH

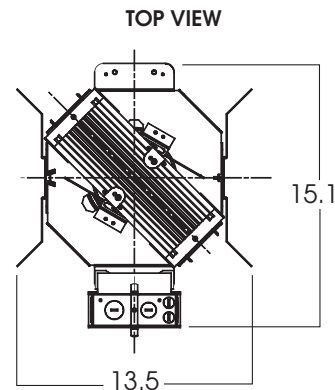
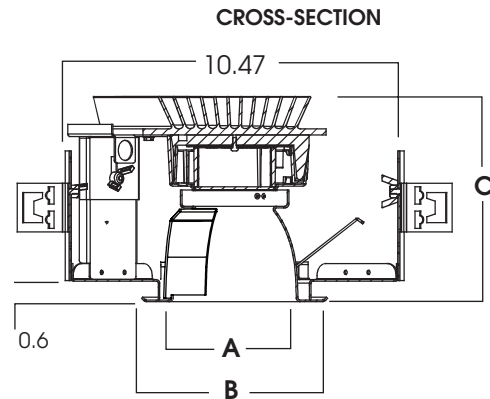
### 34 WATT MAX



#### FEATURES & SPECIFICATIONS:

- Round remote phosphor LED wall wash series.
- All LED modules and drivers are replaceable and up-gradeable.
- 50,000 hours rated LED system life.
- Trim supports a variety of lens /accessory options.
- Intended for Non-IC new construction.
- Frame constructed of 20 ga. galvanized steel
- Supplied with 27" long, heavy ga. galvanized steel bar hangers.
- Dimming available. (see page 1-444).
- EM available. (see page 1-446).
- Manufactured and built to UL standard No 8750.

Max Ceiling Thickness:	1.5 (38.1 mm)
Ceiling Cutout:4"	4.6 ø (116.8 mm ø)
Ceiling Cutout:5"	5.6 ø (142.2 mm ø)
Ceiling Cutout:6"	6.6 ø (167.6 mm ø)
Fixture Weight:	4.7 lbs



	A	B	C
<b>SGL4LEDFD</b>	3.8	5.7	6.3
<b>SGL5LEDFD</b>	5.0	6.7	6.3
<b>SGL6LEDFD</b>	6.0	7.7	6.3

SERIES	LED	KELVIN	VOLTAGE	OPTIONS	TRIM / FINISH	TRIM OPTIONS
<b>SGL4LEDFD</b> - Spectrum Infinium 4" LED Wall Wash	<b>19W</b> (1100 lumens)	<b>30K</b> -3000° K <b>35K</b> -3500° K <b>41K</b> -4100° K	<b>E1</b> -Electronic, 120V <b>E2</b> -Electronic, 277V	<b>BH6</b> -Expandable Bar Hangers, 6" - 12" <b>BH12</b> -Expandable Bar Hangers, 12" - 24" <b>CB24</b> -C-Channel bars (1-470) <b>FS</b> -Fusing <b>CCEA</b> -Chicago Ceiling Plenum CCEA (1-480) <b>CR</b> -Corrosion Resistant (1-460) <b>PR</b> -Plaster Ring (1-430) <b>TBC</b> -T-bar clips (1-475) <b>EMLED</b> -Emergency Back-up Battery (1-423) <b>GR</b> -Goof Ring (1-470)	<b>AR4490FD</b> <b>MW</b> -Matte White (4") <b>SG</b> -Semi-Diffuse Low Iridescent <b>HZ</b> -Matte Low Iridescent <b>WE</b> -Wheat Alzak <b>AR5490FD</b> <b>MB</b> -Matte Black (5") <b>CC</b> -Custom Color <b>PF</b> -Polished Flange <b>WF</b> -White Flange <b>AR6490FD</b> (6")	<b>SO</b> -Micro Prism Solite™ lens <b>GL</b> -Clear Glass Lens <b>FG</b> -Frosted Glass Lens <b>GS</b> -Gasket <b>WL</b> -Wet Location
<b>SGL5LEDFD</b> - Spectrum Infinium 5" LED Wall Wash	<b>34W</b> (2000 lumens)		<b>PD1</b> -Dimming 0 to 10 120v <b>PD2</b> -Dimming 0 to 10 277v			
<b>SGL6LEDFD</b> - Spectrum Infinium 6" LED Wall Wash						
<b>SGL4LEDFD</b>	<b>19W</b>	<b>30K</b>	<b>E1</b>		<b>AR4490FD SG</b>	

Dimensions shown are nominal. Spectrum Lighting is continually improving products and reserves the right to make changes that will not alter performance or appearance with or without written notice.

<b>PROJECT:</b>	<b>TYPE:</b>
<b>CAT. NO.:</b>	



994 Jefferson Street, Fall River, MA 02721 508.678.2303 FAX 508.678.2260

