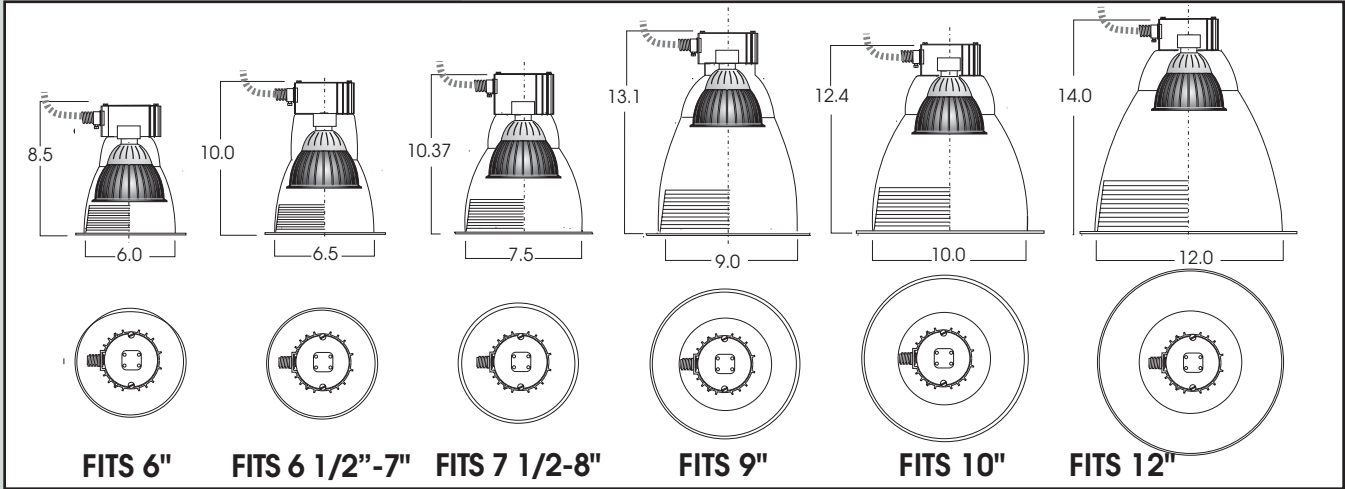
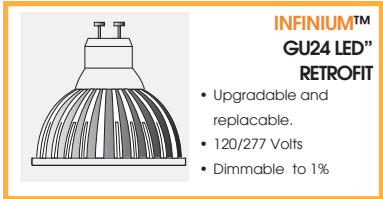


**INFINIUM™ LED
RETROFIT SERIES
18WATT LED**

**RTP* LED
SPECTRUM
INFINIUM™**

RETROFIT FEATURES

- 18 watt recessed LED retrofit replaces 90 watt PAR38, 32 watt CFL.
- Available in 6"-12" apertures.
- Dimmable to 1%.
- INFINIUM™ matrix of 3 color temps (K°) and 3 beam spreads.(12D, 22D, 38D)
- 50,000 rated lamp life.
- GU24 and Medium base LED module for replacement and up-grade.
- 277 Volt available.
- Manufactured and tested to UL standard no. 1598.
- Energy Star rating available.



FITS	MODEL#	WATTS	K TEMP	BEAM	VOLTAGE	OPTIONS	REFLECTOR
6"	SGRTP6LED 6" Aperture	18W	3k(3200 K°)	12D	E1- 120v	WP16 - 16" Whip WP27 - 27" Whip NP2 - Hub 2" CR - Corrosion Resistant FS - Fuse holder and fuse GR - Goof Ring * Specify Aperture GU24 - GU24 Base Option MB - Medium Base Option	AR6416 WH AR6426 WS PA
7"	SGRTP7LED 6 1/2" Aperture	18W	4K (4100K°)	22D	E2- 277v		AR7116 WH AR7126 WS PA
8"	SGRTP8LED 7 1/2" Aperture	18W	5K (5000K°)	38D			AR8116 WH AR8126 WS PA
9"	SGRTP9LED 9" Aperture	18W					AR9116 WH AR9126 WS PA
10"	SGRTP10LED 10" Aperture	18W					AR1016 WH AR1026 WS PA
12"	SGRTP12LED 12" Aperture	18W					AR1216 WH AR1226 WS PA
	SGRT8LED	18	3K	22D	E1		AR8115 WH

Dimensions shown are nominal. Spectrum Lighting is continually improving products and reserves the right to make changes that will not alter performance or appearance with or without written notice.



PROJECT:	TYPE:
CAT.	

