

# MINI PIER LIGHT

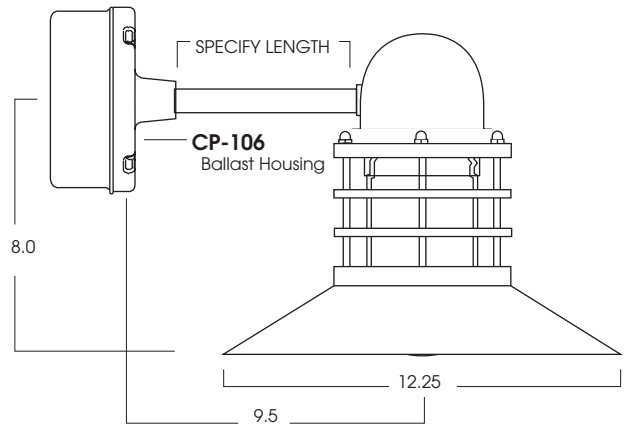
CF / INC / MH

# RLM SERIES



## PRODUCT INFORMATION:

- Compact and contemporary mini pier light is both a beacon and an architectural element.
- Fixture is constructed of spun and die cast aluminum.
- Compact fluorescent, metal halide and incandescent lamping available.
- Choose from 20 powdercoat finishes. Interior finished gloss white with color exterior.
- Standard fixture damp location listed.
- WL-Wet location available.
- Manufactured and built to UL standard No 1598.



MODEL	WATTS	BALLAST	LAMP ENCLOSURE	MOUNTING	FINISH***
MPN1209CF	13/18/26	EX - Electronic, 120/277v (18/26/32/42) EMRM -CF Remote Emergency battery pack	<b>MAX 26w CF/70w MH/100w INC</b> GJ1 -Glass Lamp Enclosure FJ1 -Frosted Lamp Enclosure PJ3 -Prismatic Lamp Enclosure SS1 -Side Glare Shield BS1 -Bottom Glare Shield	SP10 -90° Fitting 10" Straight Arm SP16 -90° Fitting 16" Straight Arm SP20 -90° Fitting 20" Straight Arm CP6 -Wall Pipe Interface (INC) CP3 -CP6 Decorative Cover (INC) CP106 -Wall Ballast Housing (CF/MH)	GW -Gloss White GB -Gloss Black EG -Evergreen VE -Verde Green AY -Aero Yellow BL -Blue Streak OR -Orange RD -Red Baron BZ -Bronze CO -Copper Metallic SI -Silver MM -Metal Finish (Brushed Copper, Brushed Aluminum, Polished Brass) <i>consult factory</i> CC -Cusom Color
MPN1209MH	50/70	EX - Electronic, 120/277v (50/70/100) RMB -MH Remote F-Can, Magnetic Ballast REB -MH Remote Electronic Ballast			
MPN1209INC	100w				
<b>MPN1209CF</b>	<b>26</b>	<b>EX</b>	<b>GJ1</b>	<b>SP10 / CP106</b>	<b>GW</b> *** See SPECTRUM Color Chart for a full list

Dimensions shown are nominal. Spectrum Lighting is continually improving products and reserves the right to make changes that will not alter performance or appearance with or without written notice.



PROJECT:	TYPE:
CAT. NO.:	

