

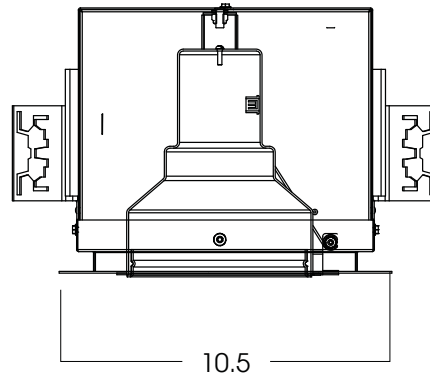
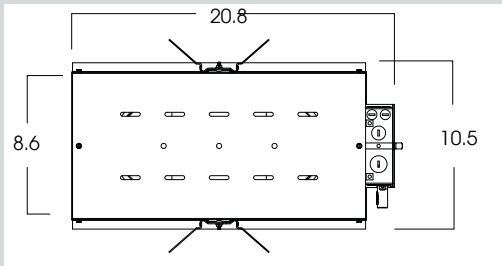
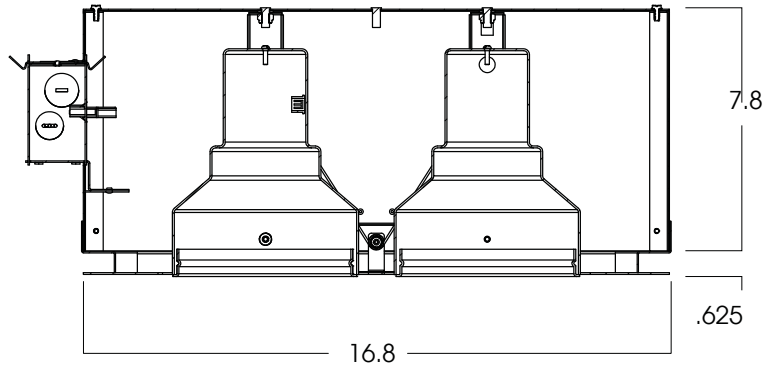


MODULAR INCANDESCENT SERIES
PULL DOWN / ADJUSTABLE
2 HEAD PAR38

RC816
SPECTRUM
GOLD SERIES™

FEATURES & SPECIFICATIONS:

- EFEX® Series PAR38 Incandescent multiples offer lamping in a versatile multi-head platform.
- Flush aperture.
- Lamp adjusts internally 40°.
- Lamp pulls down for greater adjustment.
- Lamp rotates 360°.
- Fixture constructed of 20 ga. galvanized steel, with choice of powdercoat finishes.
- Supplied with 27" long, heavy ga. galvanized steel bar hangers.
- For options detail, see page numbers listed below.
- Manufactured and built to UL standard No 1598.



SERIES	LAMP	OPTIONS	INTERIOR FINISH	TRIM / FINISH
RC816INC 8"X 16" / 2 Lamp Adjustable PAR38 incandescent	2XPAR38	LN30 -Lens option- (See Lens Page) CB24 -C-Channel bars 1-470 FS -Holder/ fuse PD -Pull Down Mechanism	MWI -Matte White GWI -Gloss White MBI -Matte Black CCI -Custom Color	RH816 MW -Matte White GW -Gloss White MB -Matte Black GB -Gloss Black BZ -Bronze MT -MiniTek CC -Custom Color
RC816PDINC	2XPAR38	PD	MWI	RH816MW

Dimensions shown are nominal. Spectrum Lighting is continually improving products and reserves the right to make changes that will not alter performance or appearance with or without written notice.



PROJECT:	TYPE:
CAT.	

