

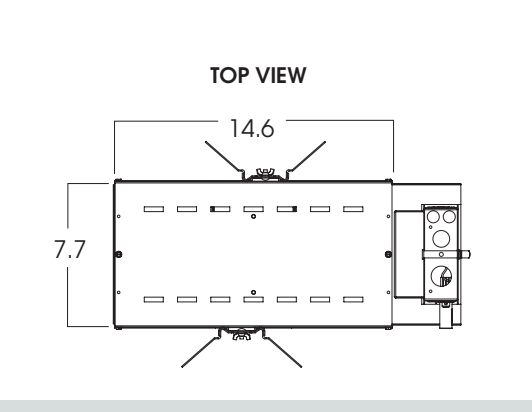
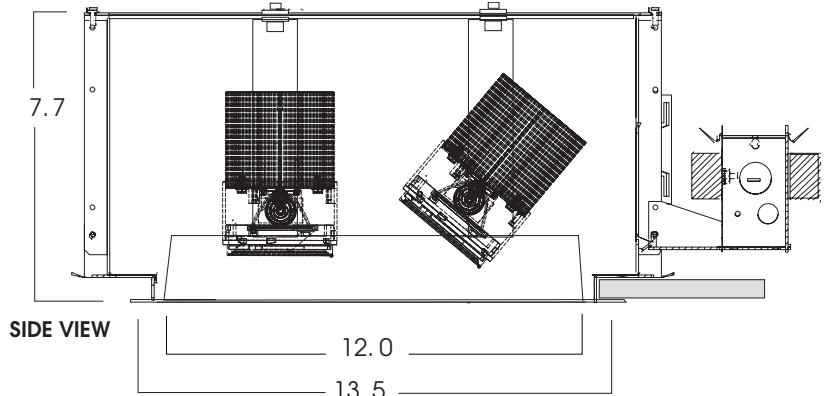


INFINIUM™ MODULAR SERIES RC6 ACCENT LIGHT 2 x 40 WATT LED MAX

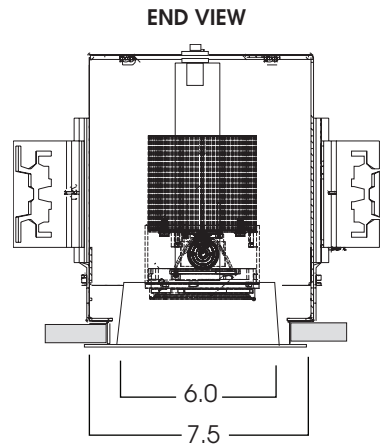


FEATURES & SPECIFICATIONS:

- RC series multi-head modular fixture designed with LED.
- Single high powered LED produces point source quality and luminaire focus.
- Fixture heads rotate 360° / lock and tilt to 45° for optimal aiming.
- 50,000 hours rated LED systems life means low maintenance.
- 27K°, 31K°, 35K°, 41K°, and 51K° color options.
- Narrow, medium and wide beam spreads.
- All LED modules are replaceable and upgradable.
- Intended for Non-IC new construction.
- Supplied with 27" long, heavy ga. galvanized steel bar hangers.
- Manufactured and built to UL standard No 1598.



KELVIN°	WATTAGE	LUMENS
27K°	30W	1280 x2
	40W	1640 x2
31K°	30W	1400 x2
	40W	1800 x2
35K°	30W	1520 x2
	40W	1855 x2
41K°	30W	1650 x2
	40W	2100 x2
51K°	30W	1900 x2
	40W	2400 x2



SERIES	LED	KELVIN	BEAM	DRIVER	INTERIOR FINISH	OPTIONS	TRIM / FINISH
RC612LED- Spectrum INFINIUM™ Multi Head Downlight	2x30W 2x40W	27K -2700° Kelvin 31K -3100° Kelvin 35K -3500° Kelvin 41K -4100° Kelvin 51K -5100° Kelvin	ND (12°) MD (22°) WD (38°)	E1 -Electronic, 120V E2 -Electronic, 277V DS101 -Spectrum 0-10v Dimming, 120v DS102 -Spectrum 0-10v Dimming, 277v DLTE1 -Lutron 2 Wire Phase Dimming, 120v ONLY DL33X -Lutron Hi-Lume Dimming, 120v/277v DL3EX -Lutron ECOSYSTEM Dimming, 120v/277v	MWI -Matte White Interior MBI -Matte Black Interior CCI -Custom Color Interior	CB24 -C-Channel bars (1-470) FS -Fuse Holder and Fuse CCEA -Chicago Ceiling Plenum CCEA (1-480) CR -Corrosion Resistant (1-460) PR -Plaster Ring (1-430) TBC -T-bar clips (1-475) EMLED -Emergency Back- up Battery (1-423) PZ612 -Trimless Aperture	WITH TRIM ORDER: AR0312LED-MW -Matte White (standard) SG -Semi-Diffuse MB -Matte Black TRIMLESS ORDER: NF0312LED-MW -Trimless Matte White (standard) PT -Platinum Silver SG -Semi-Diffuse MB -Matte Black
RC612LED	2X30	31K	MD	DS101	MWI	CB24	AR0312LED MW

Dimensions shown are nominal. Spectrum Lighting is continually improving products and reserves the right to make changes that will not alter performance or appearance with or without written notice.

PROJECT:	TYPE:
CAT. NO.:	



994 Jefferson Street, Fall River, MA 02721 508.678.2303 FAX 508.678.2260