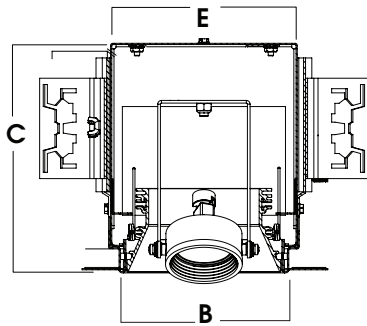


# 4" MODULAR LV SERIES SERENE CEILING/TRIMLESS 1 / 2 / 3 / 4 HEAD CMH16

## RC4MH SERIES

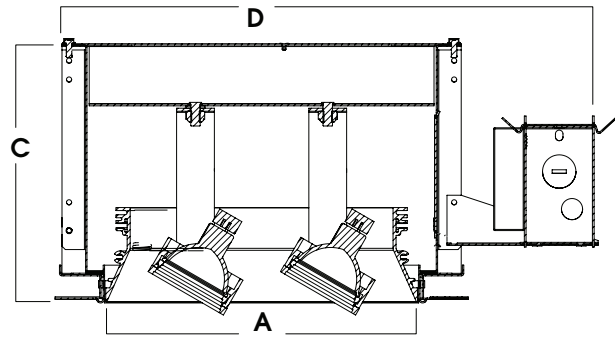
### FEATURES & SPECIFICATIONS:

- EFEX<sup>2</sup> Series CMH16 multiples offer CMH16 lamping in a versatile multi-head platform.
- Serene ceiling features trimless fitter (PZ) and true trimless installation
- Intended for Non-IC new construction.
- Supplied with 27" long, heavy ga. galvanized steel bar hangers.
- Ballast shall be integrally mounted, electronic sound rate "A", multi-volt 120v or 277v.
- Manufactured and built to UL standard No 1598.

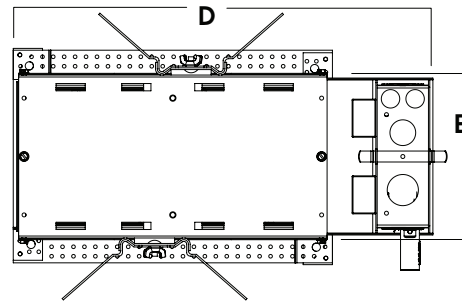


# OF LAMPS	APERTURE		H.	L.	W.	CUTOUT	WEIGHT
	A	B					
1 LAMP	8.5	4.6	6.8	10.6	5.7	5.1 x 5.1	6.3 LBS
2 LAMP	8.5	4.6	6.8	14.2	5.7	5.1 x 8.6	7.5 LBS
3 LAMP	12.5	4.6	6.8	18.2	5.7	5.1 x 12.6	8.9 LBS
4 LAMP	16.5	4.6	6.8	22.2	5.7	5.1 x 16.6	11.3 LBS

CROSS-SECTION



TOP VIEW



SERIES	LAMPS	WATTS	BALLAST	OPTIONS	INTERIOR FINISH	TRIMLESS FITTER	TRIM / FINISH
<b>RC44PZMH-</b> 4"X4" / 1 Lamp Adjustable	<b>CMH16</b>	<b>22</b> <b>39</b>	<b>EX</b> -Electronic, 120v / 277v	<b>LN16</b> -Lens option- (See Lens Page) <b>CB24</b> -C-Channel bars 1-470 <b>CCEA</b> -Chicago Ceiling Plenum CCEA <b>CR</b> -Corrosion Resistant 1-460 <b>FS</b> -Fuse holder/ fuse	<b>MWI</b> -Matte White <b>MBI</b> -Matte Black <b>CCI</b> -Custom Color	<b>PZ44</b> -4 x 4 PZ Fitter <b>PZ48</b> -4 x 8 PZ Fitter <b>PZ412</b> -4 x 12 PZ Fitter <b>PZ416</b> -4 x 16 PZ Fitter	<b>NF0404-</b> <b>MW</b> -Matte White <b>SG</b> -Semi- Diffuse Low Iridescence <b>NF0412-</b> <b>NF0416-</b> <b>MB</b> -Matte Black <b>CC</b> -Custom Color
<b>RC48PZMH-</b> 4"X8" / 2 Lamp Adjustable	<b>2xCMH16</b>						
<b>RC412PZMH-</b> 4"X12" / 3 Lamp Adjustable	<b>3xCMH16</b>						
<b>RC416PZMH-</b> 4"X16" / 4 Lamp Adjustable	<b>4xCMH16</b>						
<b>RC48PZMH</b>	<b>3XCMH16</b>	<b>39</b>	<b>EX</b>	<b>FS</b>	<b>MWI</b>	<b>PZ48</b>	<b>NF0408MW</b>

Dimensions shown are nominal. Spectrum Lighting is continually improving products and reserves the right to make changes that will not alter performance or appearance with or without written notice.



<b>PROJECT:</b>	<b>TYPE:</b>
<b>CAT. NO.:</b>	

