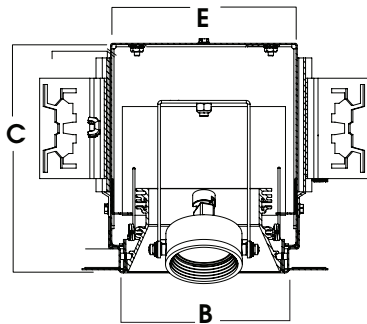


4" MODULAR LV SERIES SERENE CEILING/TRIMLESS 1 / 2 / 3 / 4 HEAD CMH16

RC4MH SERIES

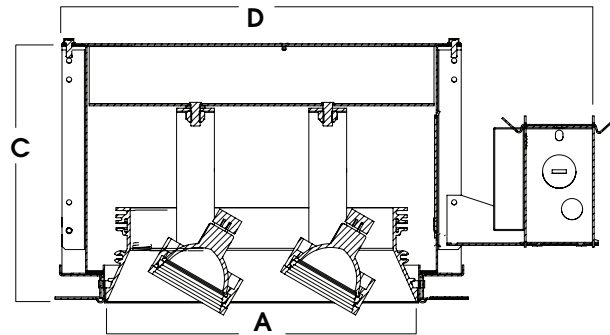
FEATURES & SPECIFICATIONS:

- EFEX² Series CMH16 multiples offer CMH16 lamping in a versatile multi-head platform.
- Serene ceiling features trimless fitter (PZ) and true trimless installation
- Intended for Non-IC new construction.
- Supplied with 27" long, heavy ga. galvanized steel bar hangers.
- Ballast shall be integrally mounted, electronic sound rate "A", multi-volt 120v or 277v.
- Manufactured and built to UL standard No 1598.

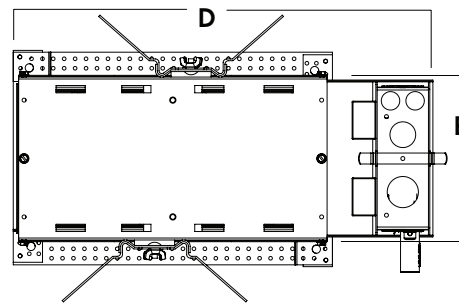


# OF LAMPS	APERTURE		H.	L.	W.	CUTOUT	WEIGHT
	A	B					
1 LAMP	8.5	4.6	6.8	10.6	5.7	5.1 x 5.1	6.3 LBS
2 LAMP	8.5	4.6	6.8	14.2	5.7	5.1 x 8.6	7.5 LBS
3 LAMP	12.5	4.6	6.8	18.2	5.7	5.1 x 12.6	8.9 LBS
4 LAMP	16.5	4.6	6.8	22.2	5.7	5.1 x 16.6	11.3 LBS

CROSS-SECTION



TOP VIEW



SERIES	LAMPS	WATTS	BALLAST	OPTIONS	INTERIOR FINISH	TRIMLESS FITTER	TRIM / FINISH
RC44PZMH- 4"X4" / 1 Lamp Adjustable	CMH16	22 39	EX -Electronic, 120v / 277v	LN16 -Lens option- (See Lens Page) HL16 -Hex Louver (See Lens Page) CB24 -C-Channel bars 1-470 CCEA -Chicago Ceiling Plenum CCEA -Corrosion CR FS Resistant 1-460 -Fuse holder/ fuse	MWI-Matte White MBI-Matte Black CCI-Custom Color	PZ44 -4 x 4 PZ Fitter PZ48 -4 x 8 PZ Fitter PZ412 -4 x 12 PZ Fitter PZ416 -4 x 16 PZ Fitter	NF0404- MW -Matte White NF0408- MB -Matte Black NF0412- CC -Custom Color NF0416-
RC48PZMH- 4"X8" / 2 Lamp Adjustable	2xCMH16						
RC412PZMH- 4"X12" / 3 Lamp Adjustable	3xCMH16						
RC416PZMH- 4"X16" / 4 Lamp Adjustable	4xCMH16						
RC48PZMH	3XCMH16	39	EX	FS	MWI	PZ48	NF0408MW

Dimensions shown are nominal. Spectrum Lighting is continually improving products and reserves the right to make changes that will not alter performance or appearance with or without written notice.



PROJECT:	TYPE:
CAT. NO.:	

