

# RECESSED MOUNTING MOUNTING BARS SPECIFICATION PAGE

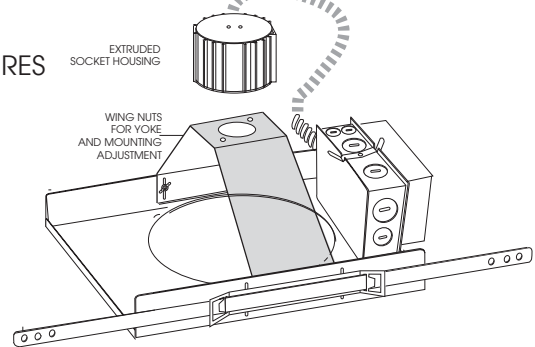
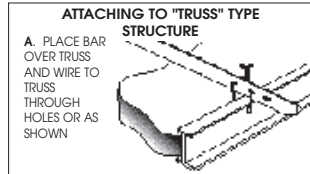
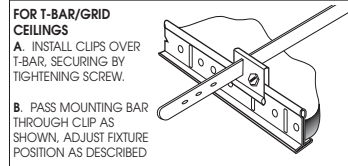
# MOUNTING SERIES

## BH- FLAT MOUNTING BARS - ALL APPLICATIONS

**BH27** 27" BAR HANGERS STANDARD ON ALL SG SERIES FIXTURES

**BH48** OPTIONAL 48" FLAT BAR HANGERS

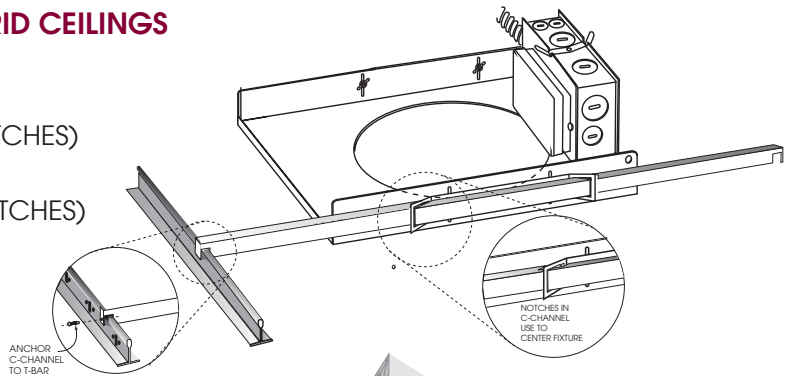
**TBC** OPTIONAL T-BAR CLIPS



## CB- "C" CHANNEL MOUNTING BARS - GRID CEILINGS

**CB24** 24" LONG "C" CHANNEL FOR GRID CEILING, (LOCATING NOTCHES)

**CB48** 48" LONG "C" CHANNEL FOR GRID CEILING, (LOCATING NOTCHES)



## JBR- J BRACKET MOUNTING SYSTEM- STUD OR GRID MOUNTING

**"J" BRACKET FOR DIRECT STUD INSTALLATION (STEEL/WOOD CONSTRUCTION)**

**JBR12** FITS STUDS 12" O.C.

**JBR16** FITS STUDS 16" O.C.

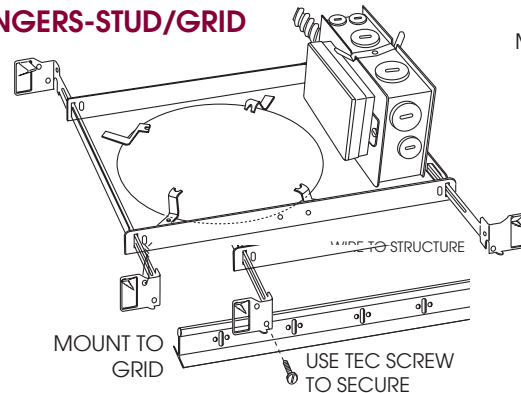
**JBR24** FITS STUDS 24" O.C.

**3" VERTICAL ADJUSTMENT  
LOWEST ADJUSTMENT  
FLUSH WITH BASE OF  
HOUSING**

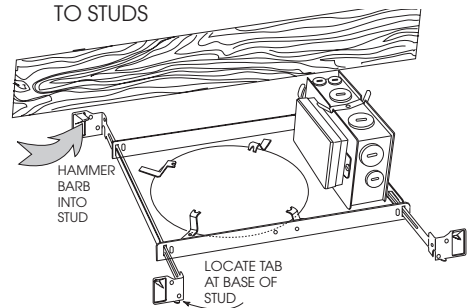


## BH- EXPANDABLE BAR HANGERS-STUD/GRID

**BH6** EXPANDS TO 11"  
**BH12** EXPANDS TO 23"  
STANDARD ON ALL SP RECESSED FIXTURES.



MOUNT DIRECTLY TO STUDS



Dimensions shown are nominal. Spectrum Lighting is continually improving products and reserves the right to make changes that will not alter performance or appearance with or without written notice.

<b>PROJECT:</b>	<b>TYPE:</b>
<b>MODEL NO.:</b>	

