

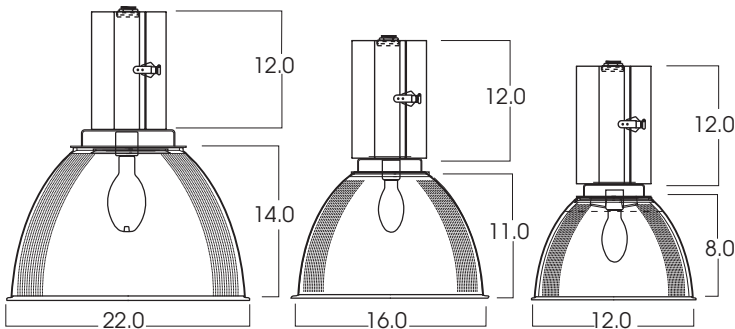
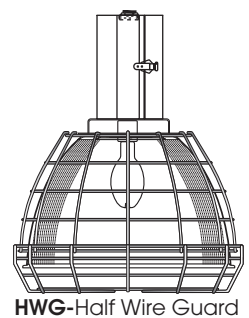
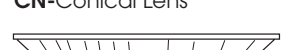
# LUMEN MAX OCTO BALLAST HOUSING PRISMATIC REFRACTOR 400 WATT MAX



## PRODUCT INFORMATION:

- The *LUMEN MAX* Metal Halide Series offers a unique design for high and mid-bay applications.
- Octo style ballast housing (OCT) is easy to install and maintain with hinged ballast access door.
- Pulse-start standard on lamps up to 150 watts
- Metal Halide dimming available in some wattage ranges, consult the factory.
- Energy-efficient ballasts.
- Prismatic refractor allows up-light. Opal and Diffuse finishes are available.
- 20 Powdercoat colors available.
- Damp location rated.
- Manufactured and tested to UL standard No. 1598.

## DIFFUSER OPTIONS



MODEL	WATTS*	BALLAST	ELECTRICAL	MOUNT./COLOR	REFRACTOR	DIFFUSER OPTIONS	
<b>PROCT12-</b> 12"x 8" (100w MAX)	<b>MH-39</b>	<b>EX</b> -Electronic, multi-volt 120v or 277v	<b>QRS</b> -Quartz Restrike <b>FS</b> -Fuse holder and fuse	<b>HM*</b> -Hang-Straight Pendant (3/8 IPS)	<b>PR12</b> -12" Clear Prismatic	<b>MOUNTING</b> <b>WAG12</b> -12" Wire Guard <b>WAG16</b> -16" Wire Guard <b>WAG22</b> -22" Wire Guard <b>DR12</b> -12" Spun Door <b>DR16</b> -16" Spun Door <b>DR22</b> -22" Spun Door <b>BC12</b> -12" Band Clamp <b>BC16</b> -16" Band Clamp <b>BC22</b> -22" Band Clamp <b>HWG22</b> -22" Half Wire Guard <b>RS12</b> -12" Reflector Shroud <b>RS16</b> -16" Reflector Shroud <b>RS22</b> -22" Reflector Shroud  <b>LENSES</b> <b>GL</b> -Clear Glass <b>PG</b> -Prismatic Glass <b>FG</b> -Frosted Glass <b>CN</b> -Conical Lens <b>DL</b> -Drop Lens	
<b>PROCT16-</b> 16"x 11" (150w MAX)	<b>MH-100</b> <b>MH-150</b>	<b>H1</b> -Magnetic ballast, 120v	<b>PS</b> -Pulse Start <b>DIM</b> -Dimming (consult factory)	<b>PM*</b> -Rigid Pendant (3/8 IPS)	<b>PR16</b> -16" Clear Prismatic		
<b>PROCT22-</b> 22"x 14" (400w MAX)	<b>MH-250</b> <b>MH-320</b> <b>MH-350</b> <b>MH-400</b>	<b>H2</b> -Magnetic ballast, 277v		<b>CD*</b> -Aircraft Cable, Straight Cord <b>SC1</b> -Safety Cable <b>HC</b> -Hook & Cord <b>NM2</b> -1/2" Hub <b>NM3</b> -3/4" Hub  <b>GW</b> -Gloss White <b>MB</b> -Matte Black <b>SI</b> -Silver <b>CC</b> -Custom Color	<b>PR22</b> -22" Clear Prismatic <b>OP12</b> -12" Opal Etch <b>OP16</b> -16" Opal Etch <b>OP22</b> -22" Opal Etch <b>DF12</b> -12" Diffuse <b>DF16</b> -16" Diffuse <b>DF22</b> -22" Diffuse <b>SC2</b> -Safety Cable, refractor to trim		
<b>PROCT22</b>	<b>MH320</b>	<b>H1</b>	<b>PS</b>	<b>HM36/GW</b>	<b>PR22</b>	<b>WAG22</b>	<b>GL</b>

\* Open Rated when used without lens

\* Specify Length in 6" increments

Dimensions shown are nominal. Spectrum Lighting is continually improving products and reserves the right to make changes that will not alter performance or appearance with or without written notice.



<b>PROJECT:</b>	<b>TYPE:</b>
<b>CAT. NO.:</b>	

