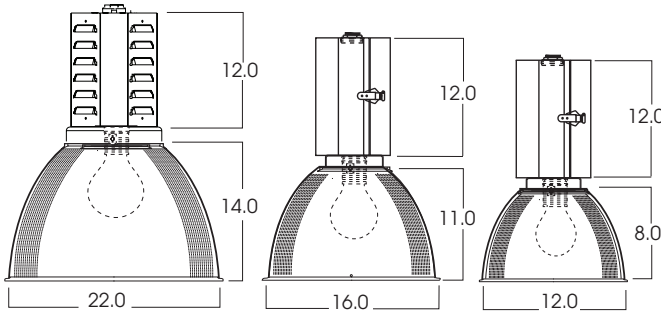


LUMEN MAX PROCT-DU SERIES 250 WATT MAX



PRODUCT INFORMATION:

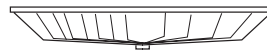
- The *LUMEN MAX* DU Induction Series offers a unique alternative to Metal Halide.
- Octagon style vented ballast housing (OCTV) is easy to install and maintain with hinged ballast access door.
- 100,000 hours rated average life.
- Crisp White Light 80+ CRI, with no color shift.
- Instant on/off.
- Wide choice of mounting options.
- Prismatic refractor allows up-light.
- 20 Powdercoat colors available. Damp location rated.
- Manufactured and tested to UL Standard No. 1598.



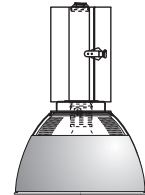
DIFFUSER OPTION



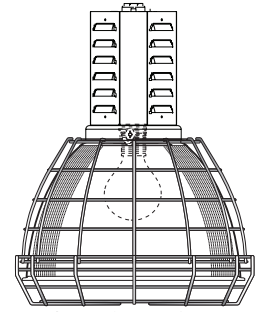
CN-Conical Lens



DL-Drop Lens



RS-Reflector Shroud



HWG-Half Wire Guard

MODEL	WATTS	LAMP TYPE	GENERATOR	MOUNTING	REFRACTOR	DIFFUSER OPTIONS	
PROCT12- 12"x 8" (55w MAX)	DU-55w	3K -3000° Kelvin	G1 -DU Generator 120v	HM* -Hang-Straight Pendant (3/8 IPS)	PR12 -12" Clear Prismatic	MOUNTING	
PROCT16- 16"x 11" (85w MAX)	DU-85w	4K -4000° Kelvin	G2 -DU Generator 277v	PM* -Rigid Pendant (3/8 IPS)	PR16 -16" Clear Prismatic	WAG12 -12" Wire Guard	CN -Conical Lens
PROCT22- 22"x 14" (250w MAX)	DU-120w* DU-165w DU-200w* DU-250w* *5K Only	5K -5000° Kelvin		CD* -Aircraft Cable, Straight Cord SCI -Safety Cable HC -Hook & Cord NM2 -1/2" Hub NM3 -3/4" Hub	PR22 -22" Clear Prismatic OP12 -12" Opal Etch OP16 -16" Opal Etch OP22 -22" Opal Etch DF12 -12" Diffuse DF16 -16" Diffuse DF22 -22" Diffuse SC2 -Safety Cable, refractor to trim	WAG16 -16" Wire Guard WAG22 -22" Wire Guard DR12 -12" Spun Door DR16 -16" Spun Door DR22 -22" Spun Door BC12 -12" Band Clamp BC16 -16" Band Clamp BC22 -22" Band Clamp HWG22 -22" Half Wire Guard RS12 -12" Reflector Shroud RS16 -16" Reflector Shroud	DL -Drop Lens
PROCTV22	DU200	5K	G1	HM36	PR22	WAG22	DL

* Specify Length in 6" increments

Dimensions shown are nominal. Spectrum Lighting is continually improving products and reserves the right to make changes that will not alter performance or appearance with or without written notice.



PROJECT:

TYPE:

CAT. NO.:

