

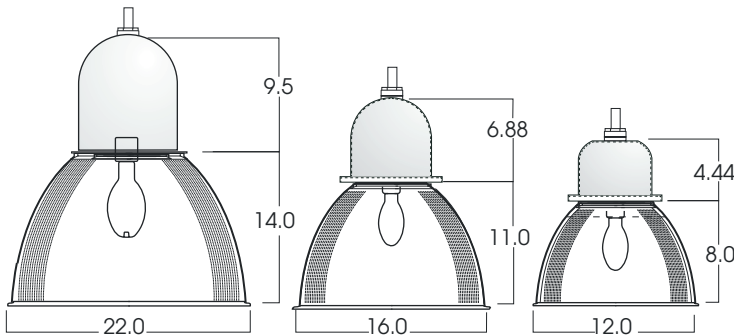


LUMEN MAX DOMED BALLAST HOUSING PRISMATIC REFRACTOR 400 WATT MAX

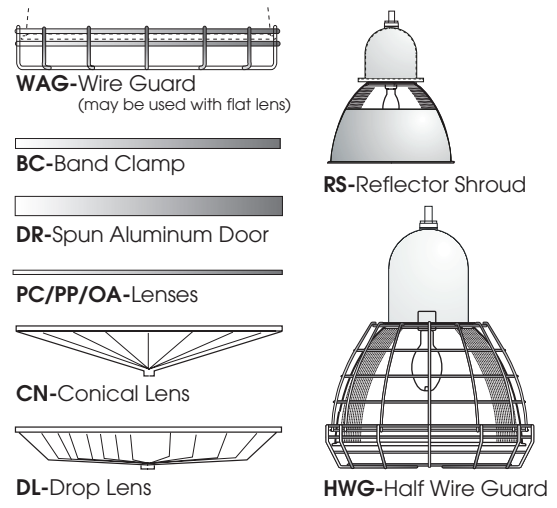


PRODUCT INFORMATION:

- The *LUMEN MAX* Metal Halide Series offers a unique design for high and mid-bay applications.
- Domed ballast housing is attractive.
- Pulse-start standard on lamps up to 150 watts
- Metal Halide dimming available in some wattage ranges, consult the factory.
- Energy-efficient ballasts.
- Prismatic refractor allows up-light. Opal and Diffuse finishes are available.
- 20 Powdercoat colors available.
- Damp location rated.
- Manufactured and tested to UL standard No. 1598.



DIFFUSER OPTIONS



MODEL	WATTS*	BALLAST	ELECTRICAL	MOUNT./COLOR	REFRACTOR	DIFFUSER OPTIONS	
PRDDH12- 12"x 8" (100w MAX)	MH-39	EX -Electronic, multi-volt 120v or 277v	QRS -Quartz Restrike FS -Fuse holder and fuse	HM* -Hang-Straight Pendant (3/8 IPS)	PR12 -12" Clear Prismatic	MOUNTING WAG12 -12" Wire Guard	LENS GL -Clear Glass
PRDDH16- 16"x 11" (150w MAX)	MH-50	H1 -Magnetic ballast, 120v	PS -Pulse Start	PM* -Rigid Pendant (3/8 IPS)	PR16 -16" Clear Prismatic	WAG16 -16" Wire Guard	PG -Prismatic Glass
PRDDH22- 22"x 14" (400w MAX)	MH-70	H2 -Magnetic ballast, 277v	DIM -Dimming (consult factory)	CD* -Aircraft Cable, Straight Cord	PR22 -22" Clear Prismatic	WAG22 -22" Wire Guard	FG -Frosted Glass
	MH-100			SC1 -Safety Cable	OP12 -12" Opal Etch	DR12 -12" Spun Door	CN -Conical Lens
	MH-150			HC -Hook & Cord	OP16 -16" Opal Etch	DR16 -16" Spun Door	DL -Drop Lens
	MH-175			NM2 -1/2" Hub	OP22 -22" Opal Etch	DR22 -22" Spun Door	
	MH-250			NM3 -3/4" Hub	DF12 -12" Diffuse	BC12 -12" Band Clamp	
	MH-320			GW -Gloss White	DF16 -16" Diffuse	BC16 -16" Band Clamp	
	MH-350			MB -Matte Black	DF22 -22" Diffuse	BC22 -22" Band Clamp	
	MH-400			SI -Silver	SC2 -Safety Cable, refractor to trim	HWG22 -22" Half Wire Guard	
				CC -Custom Color		RS12 -12" Reflector Shroud	
						RS16 -16" Reflector Shroud	
						RS22 -22" Reflector Shroud	
PRDDH22	MH320	H1	PS	HM36/GW	PR22	WAG22	GL

* Open Rated when used without lens

* Specify Length in 6" increments

Dimensions shown are nominal. Spectrum Lighting is continually improving products and reserves the right to make changes that will not alter performance or appearance with or without written notice.



PROJECT:	TYPE:
CAT. NO.:	

