

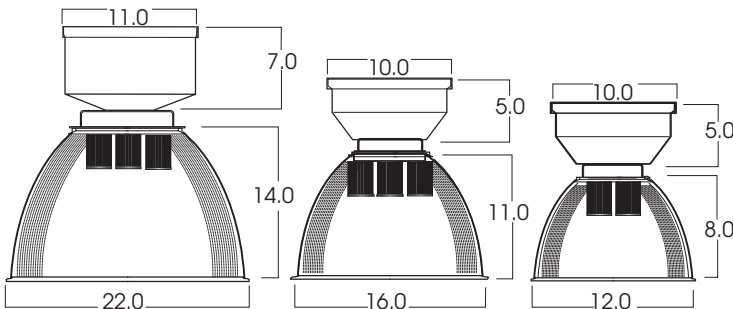


INFINIUM™ LUMEN MAX PRISMATIC HI-BAY 8 x 14 WATT LED MAX

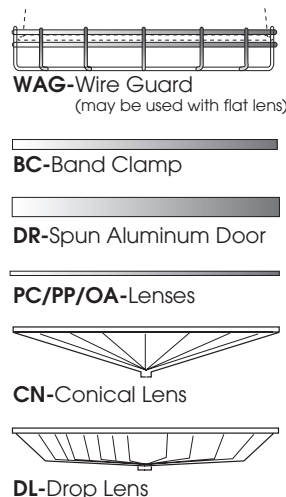
LED
LUMEN MAX
SERIES

PRODUCT INFORMATION:

- The LUMEN MAX LED Series PRDCH is decorative and compact.
- Infinium™ Pulse-Tech features integral air-cooling technology.
- Single high powered LED produces point source quality and luminaire focus.
- 50,000 hours rated lamp life means low maintenance.
- High flux density 14w LED.
- All LED modules are replaceable and up-gradeable.
- Lexalite® prismatic refractor allows up-light component. Opal and Etched diffuse finishes are available.
- Wide choice of mounting options.
- 20 Powdercoat colors available. (Gloss White is standard).
- Manufactured and tested to UL Standard.



DIFFUSER OPTIONS



KELVIN°	WATTAGE	LUMENS
27K°	14W	350
31K°	14W	375
35K°	14W	400
41K°	14W	480
55K°	14W	560

MODEL	WATTS	KELVIN	BEAM	VOLTS	MOUNTING	REFRACTOR	DIFFUSER OPTIONS	
PRDCH12- 12"x 8" (4 LED 14w MAX)	LED 1x14 LED 2x14 LED 3x14 LED 4x14	27K -2700° K 31K -3100° K 35K -3500° K 41K -4100° K	ND (12°) MD (22°)	E1 -Electronic 120v E2 -Electronic 277v	HM -Hang-Straight Pendant (3/8 IPS) PM -Rigid Pendant (3/8 IPS)	PR12 -12" Clear Prismatic PR16 -16" Clear Prismatic PR22 -22" Clear Prismatic	MOUNTING WAG12 -12" Wire Guard WAG16 -16" Wire Guard WAG22 -22" Wire Guard DR12 -12" Spun Door DR16 -16" Spun Door DR22 -22" Spun Door BC12 -12" Band Clamp BC16 -16" Band Clamp BC22 -22" Band Clamp	
PRDCH16- 16"x 11" (6 LED 14w MAX)	LED 6x14 LED 8x14	55K -5500° K	WD (38°)	Dimming Not Available	CD -Aircraft Cable, Straight Cord SM -Surface Mount SC1 -Safety Cable HC -Hook & Cord NM2 -1/2" Hub NM3 -3/4" Hub	OP12 -12" Opal Etch OP16 -16" Opal Etch OP22 -22" Opal Etch	CN -Conical Lens DL -Drop Lens	
PRDCH22- 22"x 10" (8 LED 14w MAX)					GW Gloss White MB -Matte Black SI -Silver CC -Custom Color	DF12 -12" Diffuse DF16 -16" Diffuse DF22 -22" Diffuse SC2 -Safety Cable, refractor to trim		
PRDCH22	LED 614	31K	MD	E1	HM36	PR22	WAG22	GL

* Specify Length in 6" increments

Dimensions shown are nominal. Spectrum Lighting is continually improving products and reserves the right to make changes that will not alter performance or appearance with or without written notice.



PROJECT:	TYPE:
CAT. NO.:	

