



# HEAVY METAL-LUMEN MAX

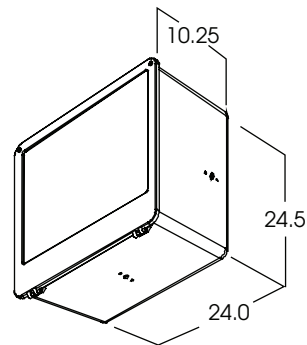
## INDUCTION AREA LIGHT

55 / 100 / 120 / 165 / 200 WATTS

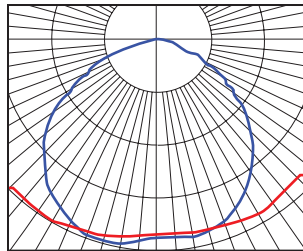


### PRODUCT INFORMATION:

- Spectrum Lighting Lighting Heavy Metal Industrial series fixture for area lighting.
- Die-Cast aluminum housing, with hinged front frame.
- Ultra-Long Life.
- Crisp White Light 80+ CRI.
- No Color Shift.
- Instant (Re)start.
- Operates in hot and cold environments..
- Wet Location listed.
- Manufactured and tested to UL standard No. 1598.



**HMI2424DU AREA LIGHT**



**HMI2424DU 165**  
165 WATT  
72.9% EFFICIENT

### MOUNTING COMPONENTS



**TBK**  
(Trunion Bracket)



**PF3**  
(Pole Fitter 3")  
*(Shown Mounted)*



**AJFM**  
(Straight Mount Adjustable)



**EX6**  
(Extender Arm 6")

MODEL	WATT	KELVIN	GENERATOR	OPTIONS	MOUNTING	FINISH
HMI2424DU- 24" X 24" Induction Area Fixture	55 100 165 120 200	5K -5000° Kelvin	Specify Voltage for Generator. G1 -Generator, 120v G2 -Generator, 277v	FS -Fuse holder and fuse PC1 -Photo cell 120 v PC2 -Photo cell 208- 277 v	TBK -Trunion Bracket PF3 -Pole Fitter 3" AJFM -Straight Mount Adjustable EX6 -6" Extender Arm	BZ -Bronze
<b>HMI2424DU</b>	<b>200</b>	<b>5K</b>	<b>G1</b>	<b>FS</b>	<b>PF3</b>	<b>BZ</b>

Dimensions shown are nominal. Spectrum Lighting is continually improving products and reserves the right to make changes that will not alter performance or appearance with or without written notice.



<b>PROJECT:</b>	<b>TYPE:</b>
<b>CAT. NO.:</b>	

