



**INFINIUM™ LUMEN MAX**  
**HEAVY METAL LED**  
 21 / 42 / 63 WATTS LED

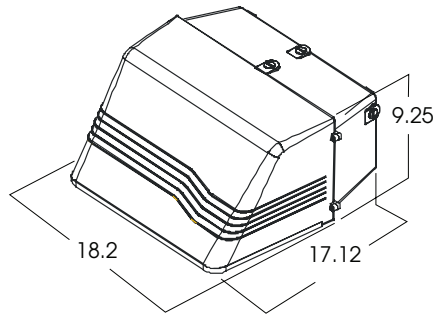
**HMI-LED**  
**LUMEN MAX**  
**SERIES**

**PRODUCT INFORMATION:**

- Spectrum Lighting Heavy Metal compact full cutoff light..
- Die Cast aluminum housing with powder coat finish.
- 50,000 hours rated LED system life.
- All LED modules and drivers are replaceable and up-gradeable.
- 2 circuit option programmed to alternated sides of LED board.
- Damp Location listed. Wet Location available.
- Manufactured and tested to UL standard No. 1598.

**HMI1817LED**  
**FULL CUTOFF**  
**WALL LIGHT**

KELVIN°	WATTAGE	LUMENS
31K°	21W	1400
	42W	2800
	63W	4200
35K°	21W	1550
	42W	3100
	63W	4650
41K°	21W	1610
	42W	3220
	63W	4830
51K°	21W	1680
	42W	3360
	63W	5040



MODEL	LED	KELVIN	VOLTAGE	OPTIONS	MOUNTING	FINISH
HMI1817LED- 18"X17" Full Cutoff Wall Light LED Fixture	21w 42w 63w	31K -3100° Kelvin 35K -3500° Kelvin 41K -4000° Kelvin 51K -5000° Kelvin	E1 -Electronic, 120v E2 -Electronic, 277v	FS -Fusing OCC -Occupancy Sensor PHO -Photo Sensor URS -IR Occupancy & Photo Sensor (Inside Fixture) 2CIR -2 Circuit WL -Wet Location	WM -Wall Mount	BZ -Bronze MW -Matte White CC -Custom Color
<b>HMI1817LED</b>	<b>63W</b>	<b>51K</b>	<b>E1</b>	<b>URS</b>	<b>WM</b>	<b>BZ</b>

Dimensions shown are nominal. Spectrum Lighting is continually improving products and reserves the right to make changes that will not alter performance or appearance with or without written notice.



<b>PROJECT:</b>	<b>TYPE:</b>
<b>CAT. NO.:</b>	

