



# HEAVY METAL-LUMEN MAX FULL CUTOFF WALL LIGHT 35 / 55 / 85 WATTS

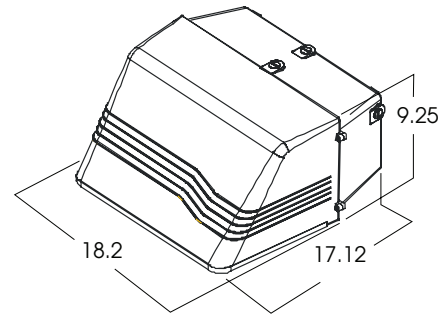


## PRODUCT INFORMATION:

- Spectrum Lighting Heavy Metal Industrial series full cutoff wall lighter for area lighting.
- Die-Cast aluminum housing, with hinged front frame.
- 1/2" Coin plugs with O-rings, for photo cell or conduit.
- Ultra-Long Life.
- Crisp White Light 80+ CRI.
- No Color Shift.
- Instant (Re)start.
- Operates in hot and cold environments.
- Cast-in template for mounting over 4" recessed outlet box, or use 1/2" surface conduit.
- Wet Location listed.
- Manufactured and tested to UL standard No. 1598.



**HMI1817 FULL CUTOFF WALL LIGHT**



MODEL	WATT	KELVIN	GENERATOR	OPTIONS	MOUNTING	FINISH
HMI1817DU- 18"X17" Full Cutoff Wall Light Induction Fixture	35 55 85	5K -5000° Kelvin	Specify Voltage for Generator. G1 -Generator, 120v G2 -Generator, 277v	FS -Fuse holder and fuse PC1 -Photo cell 120 v PC2 -Photo cell 208- 277 v	WM -Wall Mount	BZ -Bronze
<b>HMI1817DU</b>	<b>55</b>	<b>5K</b>	<b>G1</b>	<b>FS</b>	<b>WM</b>	<b>BZ</b>

Dimensions shown are nominal. Spectrum Lighting is continually improving products and reserves the right to make changes that will not alter performance or appearance with or without written notice.



<b>PROJECT:</b>	<b>TYPE:</b>
<b>CAT. NO.:</b>	

