



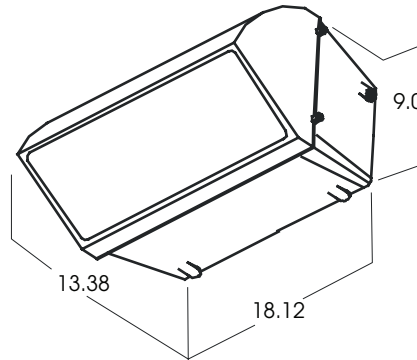
HMI1814 HALF DISTRIBUTION WALL LIGHT

**HEAVY METAL-LUMEN MAX
HALF CUTOFF WALL LIGHT
35 / 55 / 85 WATTS**



PRODUCT INFORMATION:

- Spectrum Lighting Heavy Metal Industrial series half cutoff wall lighter for area lighting.
- Die-Cast aluminum housing, with hinged front frame.
- 1/2" Coin plugs with O-rings, for photo cell or conduit.
- Ultra-Long Life.
- Crisp White Light 80+ CRI.
- No Color Shift.
- Instant (Re)start.
- Operates in hot and cold environments.
- Cast-in template for mounting over 4" recessed outlet box, or use 1/2" surface conduit.
- Wet Location listed.
- Manufactured and tested to UL standard No. 1598.



| MODEL | WATT | KELVIN | GENERATOR | OPTIONS | MOUNTING | FINISH |
|--|----------------|------------------|---|---|----------------|------------|
| HMI1814DU- 18"X14" Induction Half Distribution Wall Light Fixture | 35 55 85 | 5K -5000° Kelvin | Specify Voltage for Generator. G1 -Generator, 120v G2 -Generator, 277v | FS -Fuse holder and fuse PC1 -Photo cell 120 v PC2 -Photo cell 208- 277 v | WM -Wall Mount | BZ -Bronze |
| HMI1814DU | 55 | 5K | G1 | FS | WM | BZ |

Dimensions shown are nominal. Spectrum Lighting is continually improving products and reserves the right to make changes that will not alter performance or appearance with or without written notice.



| | |
|------------------|--------------|
| PROJECT: | TYPE: |
| CAT. NO.: | |

