



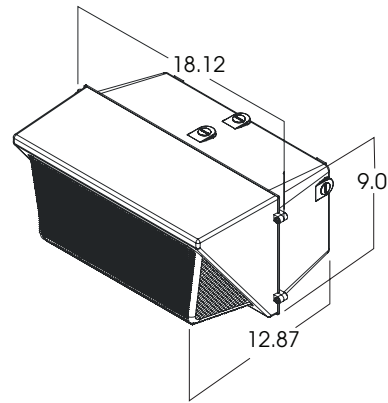
**HEAVY METAL-LUMEN MAX
INDUCTION WALL LIGHTER
35 / 55 / 85 WATTS**



PRODUCT INFORMATION:

- Spectrum Lighting Heavy Metal Industrial series wall lighter for area lighting.
- Die-Cast aluminum housing, with hinged front frame.
- 1/2" Coin plugs with O-rings, for photo cell or conduit.
- Ultra-Long Life.
- Crisp White Light 80+ CRI..
- No Color Shift.
- Instant (Re)start.
- Operates in hot and cold environments.
- Cast-in template for mounting over 4" recessed outlet box, or use 1/2" surface conduit.
- Wet Location listed.
- Manufactured and tested to UL standard No. 1598.

HMI1813DU FULL DISTRIBUTION WALL LIGHTER



MODEL	WATT	KELVIN	GENERATOR	OPTIONS	MOUNTING	FINISH
HMI1813DU- 18"X13" Induction Wall Lighter Fixture	35 55 85	5K -5000° Kelvin	Specify Voltage for Generator. G1 -Generator, 120v G2 -Generator, 277v	FS -Fuse holder and fuse PC1 -Photo cell 120 v PC2 -Photo cell 208- 277 v	WM -Wall Mount	BZ -Bronze
HMI1813DU	55	5K	G1	FS	WM	BZ

Dimensions shown are nominal. Spectrum Lighting is continually improving products and reserves the right to make changes that will not alter performance or appearance with or without written notice.



PROJECT:	TYPE:
CAT. NO.:	

