

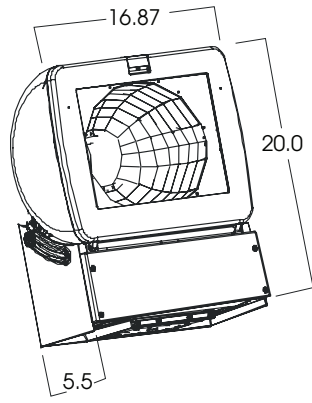


**HEAVY METAL-LUMEN MAX  
ADJUSTABLE WALL FLOOD  
35 / 55 / 85 WATTS**

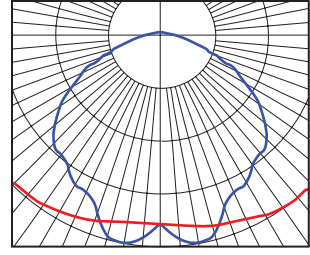


**PRODUCT INFORMATION:**

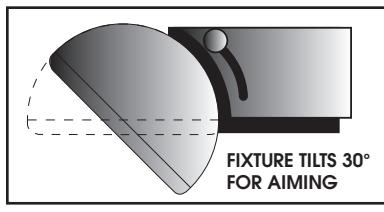
- Spectrum Lighting Heavy Metal Industrial series adjustable wall flood for area lighting.
- Die-Cast aluminum housing, with adjustable lamp housing.
- Ultra-Long Life.
- Crisp White Light 80+ CRI.
- No Color Shift.
- Instant (Re)start.
- Operates in hot and cold environments.
- Wet Location listed.
- Manufactured and tested to UL standard No. 1598.



**HMI1620DU ADJUSTABLE WALL FLOOD**



**HMI1620DU 85**  
85 WATT  
62.8% EFFICIENT



MODEL	WATT	KELVIN	GENERATOR	OPTIONS	MOUNTING	FINISH
HMI1620DU- 16" x 20" Induction Wall Adjustable Fixture	35 55 85	5K -5000° Kelvin	Specify Voltage for Generator. G1 -Generator, 120v G2 -Generator, 277v	FS -Fuse holder and fuse	WM -Wall Mount	BZ -Bronze
<b>HMI1620DU</b>	<b>55</b>	<b>5K</b>	<b>G1</b>	<b>FS</b>	<b>WM</b>	<b>BZ</b>

Dimensions shown are nominal. Spectrum Lighting is continually improving products and reserves the right to make changes that will not alter performance or appearance with or without written notice.



<b>PROJECT:</b>	<b>TYPE:</b>
<b>CAT. NO.:</b>	

